

Hazardous Location Strobes

116DEGEX-FJ



Overview

116DEGEX-FJ hazardous location strobes are life safety signaling appliances designed for installation in hazardous environments. Rigid specifications and state-of-the-art technology provide for high visual output and low maintenance. The 116DEGEX-FJ has negligible in-rush current.

When pendant, wall or ceiling mounted, the 116DEGEX-FJ meets or exceeds the requirements of *UL 1971 Signaling Appliance for the Hearing Impaired*.

The 116DEGEX-FJ is intended for indoor use in UL 1971 (signal appliance for the hearing impaired) listed compatible fire alarm systems. The strobe flashes a 360-degree beam of light approximately at 1 Hertz (65 times per minute) with a UL 1971 125 cd ceiling and 60 cd wall light output. With the guard installed, the strobe flashes a beam with an output of 86 cd ceiling and 51 cd wall. The strobe is also UL 1638 (visual signal appliance, private mode) listed with dome guard installed for both indoor and outdoor use, and other applications requiring electrical supervision of the signaling circuit field wiring. The 116 Class strobes are cUL listed to Canadian Standard ULC-S526-07 (Visual Signal Device for Fire Alarm Systems), suitable for indoor and outdoor applications. The strobe features an enhanced synchronization circuit to comply with the latest requirements of UL 1971 and CAN/ULC-S526-07. Synchronized operation requires a separately installed synchronization control module. See Ordering Information for details.

When assembled with one of the three available mounting options, the 116DEGEX-FJ is UL Listed for use in Class I, Division 1, Groups C and D, Class I, Division 2, Groups A, B, C and D, Class II, Division 1, Group E, F and G, Class II, Division 2, Group F and G, and Class III Division 1 and 2 hazardous locations. The strobe is also cUL Listed as a Type 3R and 4X enclosure.

Standard Features

- UL 1971 listed and ADA compliant for the hearing impaired
- Negligible in-rush current
- Approved for fire alarm applications
- Wall, ceiling or pendant mount
- Diode-polarized for use in electronically supervised circuits
- High-impact glass dome
- 1 Hertz flash rate (65 flashes per minute)
- Synchronized with external module
- 60 cd wall or 125 cd ceiling, per UL 1971
- Factory sealed - no external seals required
- Quick connect - threads onto mounting module for easy installation
- Epoxy powder coat for corrosion resistance
- cUL listed to CAN/ULC-S526-07 and UL 1638 for indoor and outdoor applications

Application

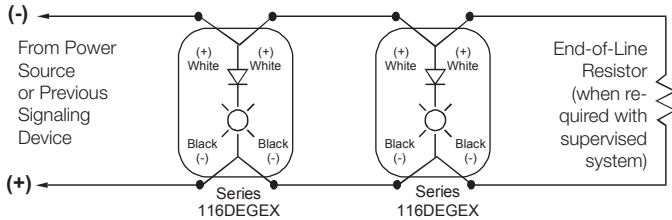
116DEGEX-FJ hazardous location strobes are designed for use in compatible EDWARDS fire alarm systems and other applications requiring electrical supervision of signaling circuit field wiring.

These strobes are suitable for many locations including mines, graineries, flour mills, tankers, refineries, laboratories and other applications where environmental hazards may be present. 116DE-

GEX-FJ strobes are particularly well-suited in areas of high noise levels where standard bells or horns are not satisfactory.

When pendant, wall or ceiling mounted, 116DEGEX-FJ strobes are cUL listed to CAN/ULC-S526-07 for indoor and outdoor applications, and UL 1971 Listed (ADA compliant) for indoor visual signaling applications in non-sleeping areas.

Wiring

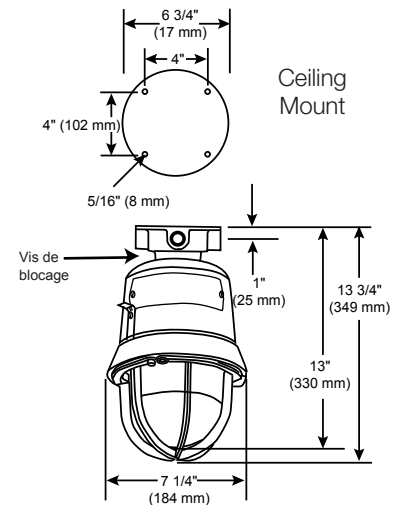
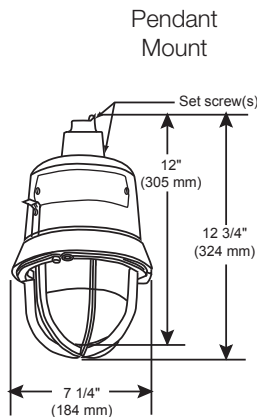
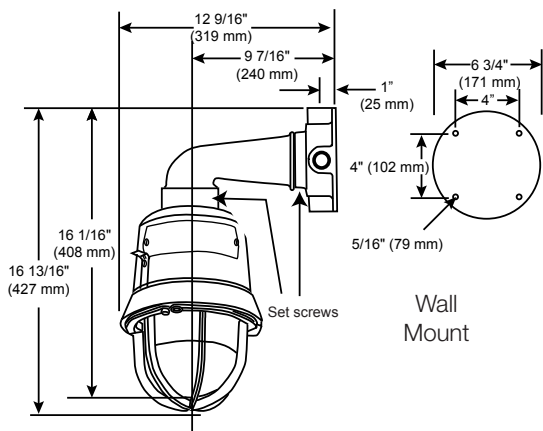
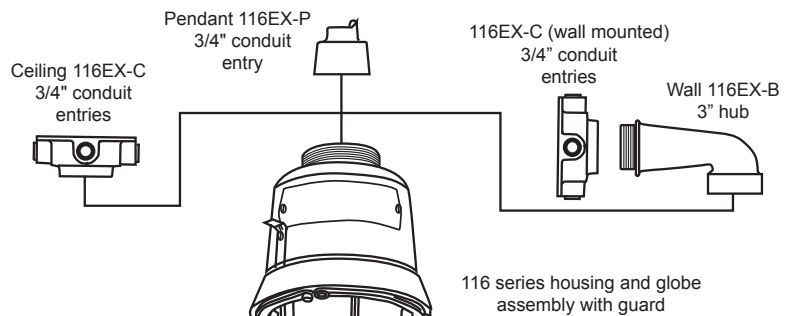


Notes:

- DC Polarity of circuit shown in supervisory state (signal inactive). Reverse circuit polarity to activate signal.
- Electrical supervision requires wire run to be broken at each device.
- Device for constant input voltage. Do not connect to "coded" or pulsating voltage.

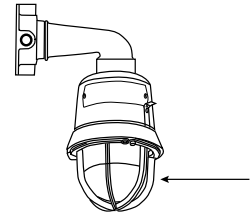
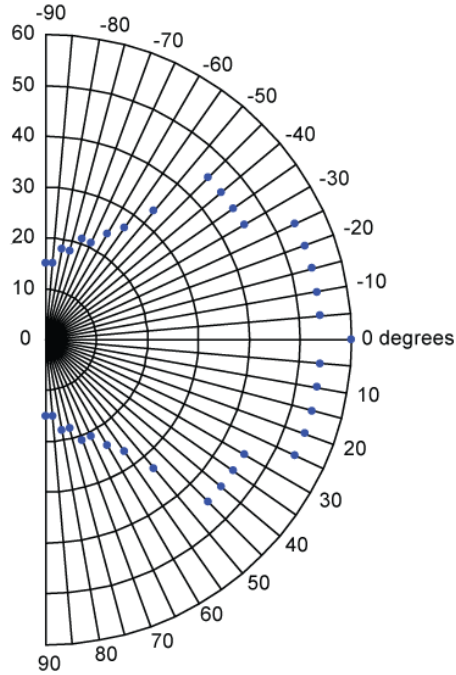
Mounting

Thanks to its modular design, the 116DEGEX-FJ configures for pendant, ceiling, or wall mounting. See the ordering information table for available mounting modules.



Light Output

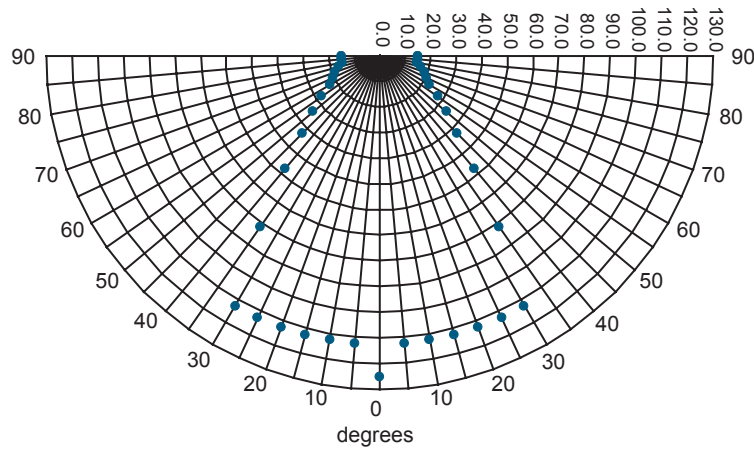
Effective Candela Light Output for Wall Bracket Mount
Vertical Plane
(Zero degree angle at side of globe)



Optional dome guard shown.
Candela output readings
taken without optional dome
guard installed.

- UL Required CD for 60 Rating

Effective Candela Light Output for Ceiling Mount
X & Y Planes
(Zero degree angle at bottom of globe)



Optional dome guard shown.
Candela output readings
taken without optional dome
guard installed.

- UL Required CD for 125 Rating



Contact us

Phone: 800-655-4497 (Option 4)
 Email: edwards.fire@kgsolutions.com
 Website: edwardsfiresafety.com

8985 Town Center Pkwy
 Bradenton, FL 34202

©2025 Walter Kidde Portable Equipment, LLC.
 All Rights Reserved.

Specifications

Mounting	Pendant, ceiling, or wall
Rated strobe intensity	UL 1971 (indoor) and ULC-S526-07 (indoor & outdoor): 125 cd ceiling, 60 cd wall
Flash Rate	1 Hertz (65 fpm)
Agency Listings	cUL
UL Listed Hazardous Classifications	Class I, Division 1, Groups C & D, Division 2, Groups A, B, C & D; Class II, Division 1, Groups, E, F & G, Division 2, Groups F & G; Class III, Divisions 1 & 2
ADA Compliance	UL 1971 listed signaling appliance for the hearing impaired, indoor, non-sleeping areas only
Synchronization Sources	SIGA-CC1S, SIGA-MCC1S, SIGA-CC2A, SIGA-MCC2A, G1M-RM, BPS6A, BPS10A, APS6A, APS10A, iO64, iO500, Fireshield Plus 3, 5 and 10 zone, EST3X
NEMA Ratings	Type 3R, Type 4X, cUL listed
Voltage Range	16 - 33 Vdc, 16-33VFWR
Operating Current (RMS)	0.505A @ 24 Vdc (regulated), 0.683A @ 24 VFWR
Operating Temperature	cUL -40 to 150 °F (-40 to 66 °C)
Lens Color	Clear
Strobe Type	Xenon - clear/nominal white flash
Finish	Gray powder coat epoxy
Weight	18 lbs (8.2 kg)

Operating Temperatures

Ambient Temperature	Supply Wire Temperature Marking	Class I, Div. 2 Groups A, B	Class I, Div. 1 & 2 Groups C, D	Class II, Div. 1 Groups E, F, G, & Class III	Class II, Div. 2 Groups F, G, & Class III
40 °C (104 °F)	75 °C (167 °F)	T2B (260 °C)	T6 (85 °C)	T4A (120 °C)	T4A (120 °C)
55 °C (131 °F)	90 °C (194 °F)	T2B (260 °C)	T6 (85 °C)	T4 (135 °C)	T4 (135 °C)
65 °C (149 °F)	105 °C (221 °F)	T2B (260 °C)	T6 (85 °C)	T3C (160 °C)	T3C (135 °C)

Ordering Information

Model	Description	Ship Wt.
116DEGEX-FJ	Explosionproof Strobe, Diode Polarized	18 lbs 8.2 kg
116EX-B	Wall bracket mounting elbow	
116EX-C	Ceiling/wall mounting module	
116EX-P	Pendant mounting module - 3/4" (19 mm) NPT	
116-GRD	Lens Guard	
116-GLOBE	Replacement Globe	