

Installation and Setup Guide

OPERATION:

A simple upward toe movement is all that is needed to operate the ADEMCO 266 Foot Rail. An indicator flag on the unit locks in when the device is tripped, which can be reset only by an authorized person with a key.

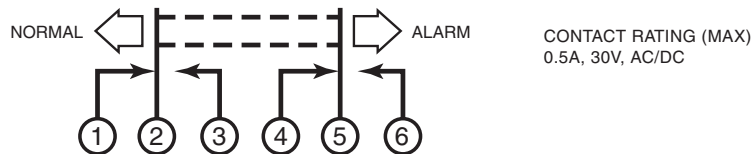


Diagram 1: CONTACT CONFIGURATION

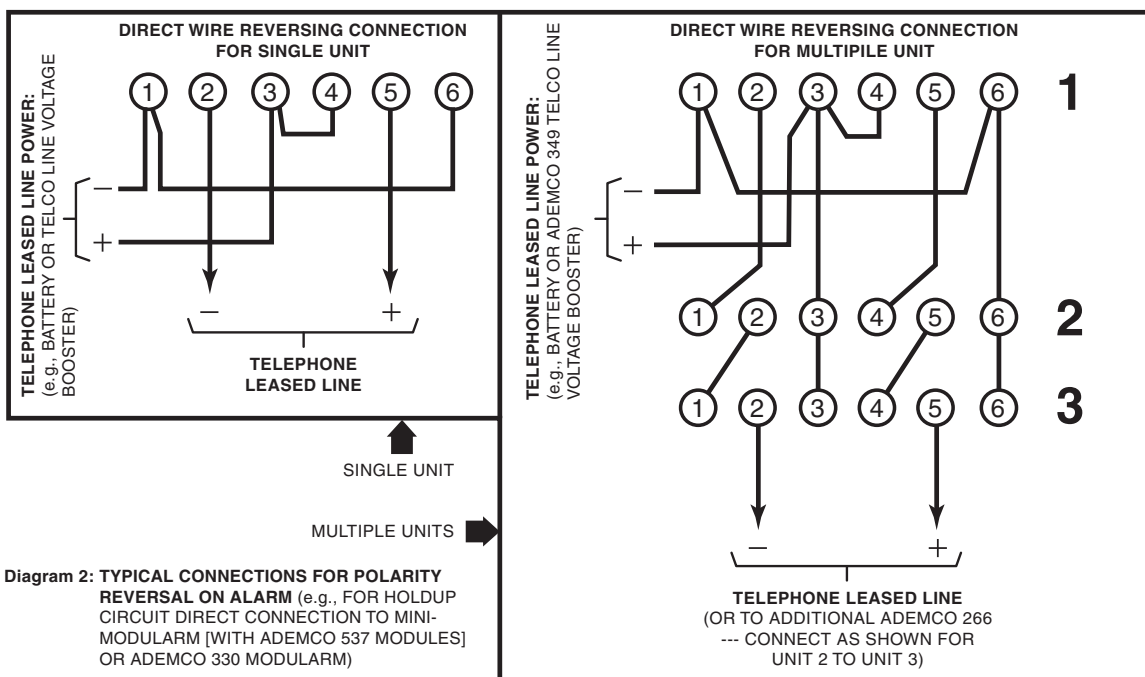


Diagram 2: TYPICAL CONNECTIONS FOR POLARITY REVERSAL ON ALARM (e.g., FOR HOLDUP CIRCUIT DIRECT CONNECTION TO MINIMODULARM [WITH ADEMCO 537 MODULES] OR ADEMCO 330 MODULARM)

WHF266-001-V1

	The WEEE symbol. It indicates this product is to be recycled and not thrown away in a dustbin.	Le symbole DEEE. Il indique que ce produit doit être recyclé et qu'il ne doit pas être jeté à la poubelle.	Das WEEE-Symbol. Es bedeutet, dass dieses Produkt recyclebar ist und nicht in den Hausmüll gehört.	Simbolo WEEE. Indica que este producto es para reciclar y que no se debe arrojar al cubo de basura.	Simbolo RAEE. Indica che questo prodotto deve essere riciclato e non può essere gettato nel secchio della spazzatura.	Symbol WEEE. To označuje, že tento výrobek má být recyklován a ne být vyhozen do popelnice.	WEEE szimbólú. Bu ürüne geri dönüşüm yapılması gerektiğini ve çöp kutusuna atılmaması gerektiğini belirtir.	Symbol WEEE. Oznacza, że produkt należy poddać recyklingowi i nie można wyrzucać go do pojemników na śmieci.
--	--	--	--	---	---	---	---	--

SUPPORT & WARRANTY
 For the latest documentation and online support information, please go to:
www.resideo.com
 For the latest warranty information, please go to:
www.resideo.com
 For patent information, please go to: www.resideo.com/patent

This product manufactured by Resideo Technologies and its affiliates.
 The Honeywell Home Trademark is used under license from Honeywell International Inc.



P833V2C 4/10 Rev. C