

DB-M01N Common Detector Base



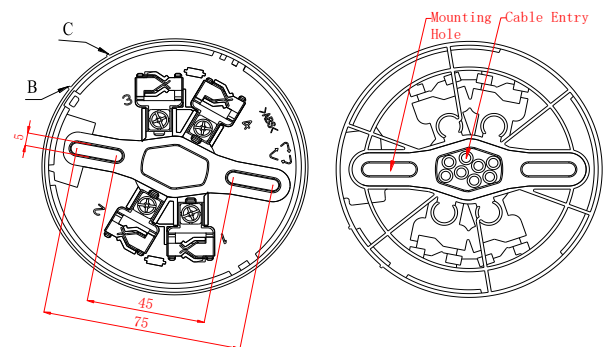
Description

DB-M01N Detector Base is designed for a new generation D-series detector. It is suitable for both conventional and intelligent D-series detectors including UL-certified DI/DC-M9101N, DI/DC-M9102N, DI/DC-M9103 produced by GST.

Technical Specification

| | |
|---------------------------------|----------------------------|
| Ambient Temperature | 32°F(0°C) ~ 100°F(+37.8°C) |
| Relative Humidity | ≤85%, non-condensing |
| Material and Color of Enclosure | ABS, white (RAL 9016) |
| Dimensions | 100mm(D) X 16.5mm(H) |
| Mounting Spacing | 45mm-75mm |

Terminals and Installation Holes



Warning: Do not punch mounting holes and cable entry holes bigger than needed. Do not punch more holes than needed.

Order Information

| | |
|---------------------|---|
| Part No. | DB-M01N |
| Device Name | Common Detector Base |
| Product No. | 30209761 |
| Compatible Products | DI/DC-M9101N, DI/DC-M9102N, DI/DC-M9103 |