

Remote Fire Annunciator
FDU-80
Instruction Manual



Fire Alarm & Emergency Communication System Limitations

While a life safety system may lower insurance rates, it is not a substitute for life and property insurance!

An automatic fire alarm system—typically made up of smoke detectors, heat detectors, manual pull stations, audible warning devices, and a fire alarm control panel (FACP) with remote notification capability—can provide early warning of a developing fire. Such a system, however, does not assure protection against property damage or loss of life resulting from a fire.

An emergency communication system—typically made up of an automatic fire alarm system (as described above) and a life safety communication system that may include an autonomous control unit (ACU), local operating console (LOC), voice communication, and other various interoperable communication methods—can broadcast a mass notification message. Such a system, however, does not assure protection against property damage or loss of life resulting from a fire or life safety event.

The Manufacturer recommends that smoke and/or heat detectors be located throughout a protected premises following the recommendations of the current edition of the National Fire Protection Association Standard 72 (NFPA 72), manufacturer's recommendations, State and local codes, and the recommendations contained in the Guide for Proper Use of System Smoke Detectors, which is made available at no charge to all installing dealers. This document can be found at <http://www.systemsensor.com/appguides/>. A study by the Federal Emergency Management Agency (an agency of the United States government) indicated that smoke detectors may not go off in as many as 35% of all fires. While fire alarm systems are designed to provide early warning against fire, they do not guarantee warning or protection against fire. A fire alarm system may not provide timely or adequate warning, or simply may not function, for a variety of reasons:

Smoke detectors may not sense fire where smoke cannot reach the detectors such as in chimneys, in or behind walls, on roofs, or on the other side of closed doors. Smoke detectors also may not sense a fire on another level or floor of a building. A second-floor detector, for example, may not sense a first-floor or basement fire.

Particles of combustion or "smoke" from a developing fire may not reach the sensing chambers of smoke detectors because:

- Barriers such as closed or partially closed doors, walls, chimneys, even wet or humid areas may inhibit particle or smoke flow.
- Smoke particles may become "cold," stratify, and not reach the ceiling or upper walls where detectors are located.
- Smoke particles may be blown away from detectors by air outlets, such as air conditioning vents.
- Smoke particles may be drawn into air returns before reaching the detector.

The amount of "smoke" present may be insufficient to alarm smoke detectors. Smoke detectors are designed to alarm at various levels of smoke density. If such density levels are not created by a developing fire at the location of detectors, the detectors will not go into alarm.

Smoke detectors, even when working properly, have sensing limitations. Detectors that have photoelectronic sensing chambers tend to detect smoldering fires better than flaming fires, which have little visible smoke. Detectors that have ionizing-type sensing chambers tend to detect fast-flaming fires better than smoldering fires. Because fires develop in different ways and are often unpredictable in their growth, neither type of detector is necessarily best and a given type of detector may not provide adequate warning of a fire.

Smoke detectors cannot be expected to provide adequate warning of fires caused by arson, children playing with matches (especially in bedrooms), smoking in bed, and violent explosions (caused by escaping gas, improper storage of flammable materials, etc.).

Heat detectors do not sense particles of combustion and alarm only when heat on their sensors increases at a predetermined rate or reaches a predetermined level. Rate-of-rise heat detectors may be subject to reduced sensitivity over time. For this reason, the rate-of-rise feature of each detector should be tested at least once per year by a qualified fire protection specialist. Heat detectors are designed to protect property, not life.

IMPORTANT! Smoke detectors must be installed in the same room as the control panel and in rooms used by the system for the connection of alarm transmission wiring, communications, signaling, and/or power. If detectors are not so located, a developing fire may damage the alarm system, compromising its ability to report a fire.

Audible warning devices such as bells, horns, strobes, speakers and displays may not alert people if these devices are located on the other side of closed or partly open doors or are located on another floor of a building. Any warning device may fail to alert people with a disability or those who have recently consumed drugs, alcohol, or medication. Please note that:

- An emergency communication system may take priority over a fire alarm system in the event of a life safety emergency.
- Voice messaging systems must be designed to meet intelligibility requirements as defined by NFPA, local codes, and Authorities Having Jurisdiction (AHJ).
- Language and instructional requirements must be clearly disseminated on any local displays.
- Strobes can, under certain circumstances, cause seizures in people with conditions such as epilepsy.
- Studies have shown that certain people, even when they hear a fire alarm signal, do not respond to or comprehend the meaning of the signal. Audible devices, such as horns and bells, can have different tonal patterns and frequencies. It is the property owner's responsibility to conduct fire drills and other training exercises to make people aware of fire alarm signals and instruct them on the proper reaction to alarm signals.
- In rare instances, the sounding of a warning device can cause temporary or permanent hearing loss.

A life safety system will not operate without any electrical power. If AC power fails, the system will operate from standby batteries only for a specified time and only if the batteries have been properly maintained and replaced regularly.

Equipment used in the system may not be technically compatible with the control panel. It is essential to use only equipment listed for service with your control panel.

Telephone lines needed to transmit alarm signals from a premises to a central monitoring station may be out of service or temporarily disabled. For added protection against telephone line failure, backup radio transmission systems are recommended.

The most common cause of life safety system malfunction is inadequate maintenance. To keep the entire life safety system in excellent working order, ongoing maintenance is required per the manufacturer's recommendations, and UL and NFPA standards. At a minimum, the requirements of NFPA 72 shall be followed. Environments with large amounts of dust, dirt, or high air velocity require more frequent maintenance. A maintenance agreement should be arranged through the local manufacturer's representative. Maintenance should be scheduled as required by National and/or local fire codes and should be performed by authorized professional life safety system installers only. Adequate written records of all inspections should be kept.

Limit-D2-2016

Installation Precautions

Adherence to the following will aid in problem-free installation with long-term reliability:

WARNING - Several different sources of power can be connected to the fire alarm control panel. Disconnect all sources of power before servicing. Control unit and associated equipment may be damaged by removing and/or inserting cards, modules, or interconnecting cables while the unit is energized. Do not attempt to install, service, or operate this unit until manuals are read and understood.

CAUTION - System Re-acceptance Test after Software

Changes: To ensure proper system operation, this product must be tested in accordance with NFPA 72 after any programming operation or change in site-specific software. Re-acceptance testing is required after any change, addition or deletion of system components, or after any modification, repair or adjustment to system hardware or wiring. All components, circuits, system operations, or software functions known to be affected by a change must be 100% tested. In addition, to ensure that other operations are not inadvertently affected, at least 10% of initiating devices that are not directly affected by the change, up to a maximum of 50 devices, must also be tested and proper system operation verified.

This system meets NFPA requirements for operation at 0-49° C/ 32-120° F and at a relative humidity 93% ± 2% RH (non-condensing) at 32°C ± 2°C (90°F ± 3°F). However, the useful life of the system's standby batteries and the electronic components may be adversely affected by extreme temperature ranges and humidity. Therefore, it is recommended that this system and its peripherals be installed in an environment with a normal room temperature of 15-27° C/60-80° F.

Verify that wire sizes are adequate for all initiating and indicating device loops. Most devices cannot tolerate more than a 10% I.R. drop from the specified device voltage.

Like all solid state electronic devices, this system may operate erratically or can be damaged when subjected to lightning induced transients. Although no system is completely immune from lightning transients and interference, proper grounding will reduce susceptibility. Overhead or outside aerial wiring is not recommended, due to an increased susceptibility to nearby lightning strikes. Consult with the Technical Services Department if any problems are anticipated or encountered.

Disconnect AC power and batteries prior to removing or inserting circuit boards. Failure to do so can damage circuits.

Remove all electronic assemblies prior to any drilling, filing, reaming, or punching of the enclosure. When possible, make all cable entries from the sides or rear. Before making modifications, verify that they will not interfere with battery, transformer, or printed circuit board location.

Do not tighten screw terminals more than 9 in-lbs. Over-tightening may damage threads, resulting in reduced terminal contact pressure and difficulty with screw terminal removal.

This system contains static-sensitive components. Always ground yourself with a proper wrist strap before handling any circuits so that static charges are removed from the body. Use static suppressive packaging to protect electronic assemblies removed from the unit.

Units with a touchscreen display should be cleaned with a dry, clean, lint free/microfiber cloth. If additional cleaning is required, apply a small amount of Isopropyl alcohol to the cloth and wipe clean. Do not use detergents, solvents, or water for cleaning. Do not spray liquid directly onto the display.

Follow the instructions in the installation, operating, and programming manuals. These instructions must be followed to avoid damage to the control panel and associated equipment. FACP operation and reliability depend upon proper installation.

Precau-D2-11-2017

FCC Warning

WARNING: This equipment generates, uses, and can radiate radio frequency energy and if not installed and used in accordance with the instruction manual may cause interference to radio communications. It has been tested and found to comply with the limits for class A computing devices pursuant to Subpart B of Part 15 of FCC Rules, which is designed to provide reasonable protection against such interference when devices are operated in a commercial environment. Operation of this equipment in a residential area is likely to cause interference, in which case the user will be required to correct the interference at his or her own expense.

Canadian Requirements

This digital apparatus does not exceed the Class A limits for radiation noise emissions from digital apparatus set out in the Radio Interference Regulations of the Canadian Department of Communications.

Le présent appareil numérique n'émet pas de bruits radioélectriques dépassant les limites applicables aux appareils numériques de la classe A prescrites dans le Règlement sur le brouillage radioélectrique édicté par le ministère des Communications du Canada.

HARSH™, NIS™, and NOTI•FIRE•NET™ are all trademarks; and Acclimate® Plus™, eVance®, FlashScan®, FFAST Fire Alarm Aspiration Sensing Technology®, Honeywell®, Intelligent FFAST®, NOTIFIER®, ONYX®, ONYXWorks®, SWIFT®, VeriFire®, and VIEW® are all registered trademarks of Honeywell International Inc. Microsoft® and Windows® are registered trademarks of the Microsoft Corporation. Chrome™ and Google™ are trademarks of Google Inc. Firefox® is a registered trademark of The Mozilla Foundation.

©2019 by Honeywell International Inc. All rights reserved. Unauthorized use of this document is strictly prohibited.

Software Downloads

In order to supply the latest features and functionality in fire alarm and life safety technology to our customers, we make frequent upgrades to the embedded software in our products. To ensure that you are installing and programming the latest features, we strongly recommend that you download the most current version of software for each product prior to commissioning any system. Contact Technical Support with any questions about software and the appropriate version for a specific application.

Documentation Feedback

Your feedback helps us keep our documentation up-to-date and accurate. If you have any comments or suggestions about our online Help or printed manuals, you can email us.

Please include the following information:

- Product name and version number (if applicable)
- Printed manual or online Help
- Topic Title (for online Help)
- Page number (for printed manual)
- Brief description of content you think should be improved or corrected
- Your suggestion for how to correct/improve documentation

Send email messages to:

FireSystems.TechPubs@honeywell.com

Please note this email address is for documentation feedback only. If you have any technical issues, please contact Technical Services.

Table of Contents

Section 1: Overview	6
1.1: Introduction	6
1.2: UL 864 Compliance	6
1.2.1: UL 864 9th and 10th Edition	6
1.2.2: Programming Features Subject to AHJ Approval	6
1.3: Related Documentation	6
Section 2: The FDU-80 Annunciator	7
2.1: Compatible Panels	7
2.2: Features of the FDU-80	7
2.3: Components	8
2.4: SW1 DIP Switch Settings	8
Section 3: Operation	10
3.1: Display Patterns	10
3.2: Switch Functions	10
3.2.1: Key-switch	10
3.2.2: Acknowledge/Step	10
3.2.3: Silence	10
3.2.4: Drill: Hold 2 Sec	10
3.2.5: Reset	11
3.3: LED Indicators	11
Section 4: Mounting	12
4.1: Annunciator Preparation	12
4.2: Semi-flush Mount Backbox	12
4.2.1: Mounting in SBB-3 Three Gang Electrical Box	13
4.2.2: Mounting in Three Electrical Boxes Ganged Together	13
4.3: Surface Mount Backbox	14
Section 5: Electrical Connections	15
5.1: Power Connections	15
5.2: Specifications for the FDU-80	15
5.3: EIA-485 Connections	16
Section 6: EIA-485 Shield Termination	17
6.1: Shield Not in Conduit	17
6.2: Shield in Full Conduit	18
Appendix A: UL 864 8th Edition Applications	19
A.1: Power Connections	19
A.2: EIA-485 Connections	20
Index	22

Section 1: Overview

1.1 Introduction

This document contains information for installing, programming, and operating the FDU-80 Remote Fire Annunciator.

1.2 UL 864 Compliance

1.2.1 UL 864 9th and 10th Edition

- Per the UL Continuing Certification Program, UL 864 9th edition fire alarm control equipment will retain certification after the rollout of UL 10th edition (12/2/2018).
- Installations of UL 864 10th Edition certified equipment are permitted to use UL864 9th Edition certified equipment when approved by the local Authority Having Jurisdiction (AHJ).

For product compliance, refer to the UL/ULC listing cards located on the UL online certification directory.
<https://iq.ulprospector.com>

The following products have not received UL 864 9th Edition certification and may only be used in retrofit applications. Operation of the FDU-80 with products not tested for UL 864 9th Edition has not been evaluated and may not comply with NFPA 72 and/or the latest edition of UL 864. These applications will require the approval of the local Authority Having Jurisdiction (AHJ).

- FireWarden NFW-100
- AFP-300/400
- NFS-640

1.2.2 Programming Features Subject to AHJ Approval

This product incorporates field-programmable software. The features and/or options listed below must be approved by the local AHJ.

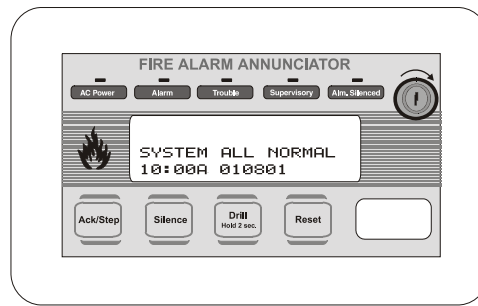
This product incorporates field-programmable software. In order for the product to comply with the requirements in the Standard for Control Units and Accessories for Fire Alarm Systems, UL 864, certain programming features or options must be limited to specific values or not used at all as indicated below.			
Program feature or option	Permitted in UL 864 (Y/N)	Possible settings	Settings permitted in UL 864
Piezo Enable/Disable	Y	SW1-2 ON = Piezo Enabled SW1-2 OFF = Piezo Disabled	SW1-2 ON = Piezo Enabled

1.3 Related Documentation

The table below provides a list of document sources (manuals) containing additional information regarding the fire alarm control panels and components that ACS annunciators can be connected to. The NOTIFIER document (DOC-NOT) chart provides the current document revision.

Document Name	P/N
Notifier Device Compatibility Document	15378
NFS2-640 Fire Alarm Control Panel	52741LD
NFS-320 Fire Alarm Control Panel	52745LD
FireWarden NFW-100-2 Instruction Manual	52778
FCPS-24S6/8 Instruction Manual	51977
VeriFire® Tools CD help file	VERIFIRE-TCD
NFS-640 Fire Alarm Control Panel (UL 8th)	51332, 51333, 51334
AFP-300/AFP-400 Installation Manual (UL 8th)	50253
FireWarden NFW-100 Instruction Manual (UL 8th)	52299

Section 2: The FDU-80 Annunciator



The FDU-80 Annunciator is a compact, 80-character, backlit LCD fire annunciator designed for use with compatible FACP (Fire Alarm Control Panels). The FDU-80 Annunciator display will mimic the FACP display.

The FDU-80 is capable of displaying English-language text of system point status including device type, independent point alarm, trouble or supervisory, zone and custom alpha labels programmed into the control panel. The FDU-80 also provides system status LEDs to display Power, Alarm, Trouble, Supervisory and Alarm Silenced conditions. The FDU-80 is capable of performing system acknowledge, silence, drill and reset remotely.

Communication between the FACP and the FDU-80 is accomplished over a two-wire serial interface employing the EIA-485 communication standard. Up to 32 annunciators may be connected to the two-wire EIA-485 circuit. The annunciators may be powered from the host FACP or remote UL listed, filtered, power supplies.

2.1 Compatible Panels

- NFS2-640
- NFS-320
- NFW2-100
- NFS-640
- NFW-100
- AFP-300/400

2.2 Features of the FDU-80

- 80-character LCD display (20 characters x 4 lines) is backlit under normal and alarm conditions
- System Status LEDs for AC Power (green), Alarm (red), Trouble (yellow), Supervisory (yellow) and Alarm Silenced (yellow)
- No programming necessary — duplicates messages at control panel display.



NOTE: The FACP may require programming to function with the FDU-80. Refer to the specific FACP manual for programming information.

- Local piezo sounder with alarm and trouble resound
- Device type identifiers from the control panel
- Device & zone custom alpha labels from the control panel
- Time/date and device address from the control panel
- EIA-485 connects to control panel terminal port
- Plug-in terminal blocks for ease of installation and service
- DIP switches control piezo enable/disable, transmit/receive mode, FACP selection, function switches and key-switch enable/disable.
- Up to 32 FDU-80 Annunciators per FACP
- Mounting options:
 - Surface mounting in SBB-3 (2.75" depth) or three electrical boxes ganged together
 - Semi-flush mounting in three-gang electrical box (P/N 10103) with a minimum depth of 2.187" or three electrical boxes ganged together
 - Can be located up to 6,000 feet (1,829 m) from the panel
- Backlight turns off during AC loss to conserve battery power but will turn back on if an alarm condition occurs.
- Enable/Disable key-switch
- Function switches for:
 - Acknowledge/Step
 - Alarm Silence
 - Drill
 - System Reset/Lamp Test

2.3 Components

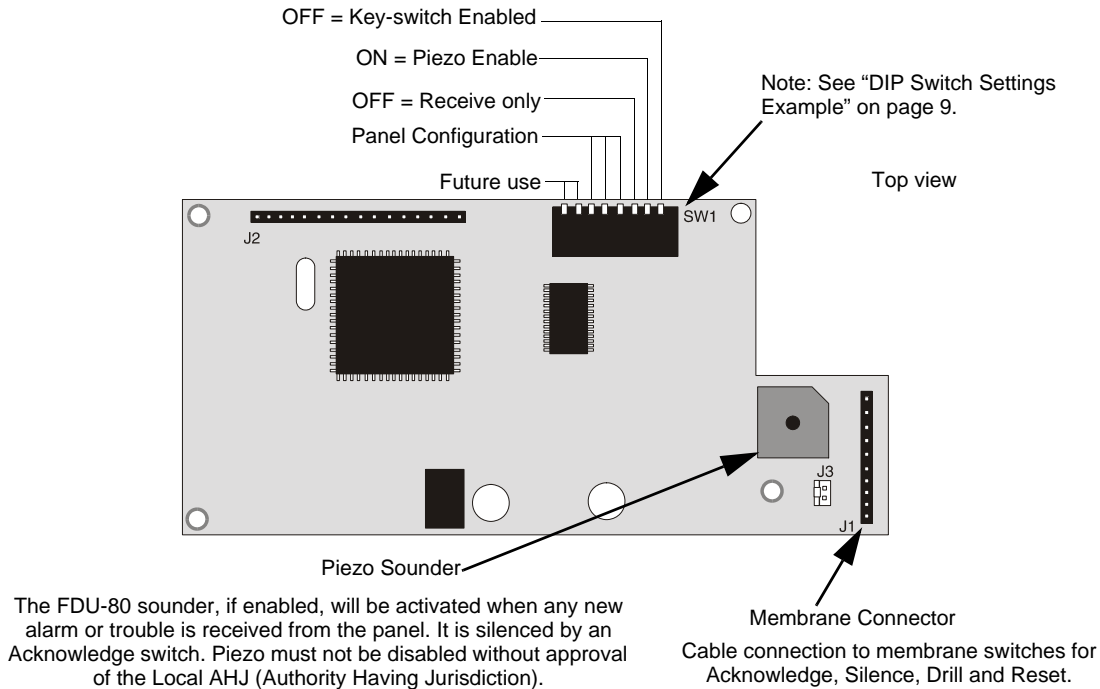


Figure 2.1 Components of the FDU-80

2.4 SW1 DIP Switch Settings

Refer to "DIP Switch Settings Example" on page 9, for an explanation of DIP switch positions. SW1 switch settings follow:

1 -ON = Key-switch disabled, OFF = Key-switch enabled.

Switch 1 set to the OFF position enables key-switch operation. The key-switch may now be used to enable the FDU-80 membrane switches, allowing remote switch functions, or lockout the switches, preventing remote switch functions.

Switch 1 set to the ON position disables the key-switch operation. Refer to "Switch Functions" on page 10, for key-switch function description.

2 -ON = Piezo sounder enabled, OFF = Piezo sounder disabled.



CAUTION: AHJ APPROVAL

THE PIEZO SOUNDER MUST NOT BE DISABLED WITHOUT PRIOR APPROVAL OF THE LOCAL AUTHORITY HAVING JURISDICTION (AHJ).

3 -ON = Supervision Receive/Transmit, OFF = Supervision Receive Only.

- **One Annunciator** - if a single FDU-80 is the only annunciator connected to the EIA-485 loop, Switch 3 must be set to the ON position to allow the FACP to supervise the annunciator.
- **Multiple Annunciators** - if multiple FDU-80 annunciators are connected to the EIA-485 loop, the annunciator physically connected as the last device on the loop (farthest from the 'OUT' terminals on the FACP) must have Switch 3 set to the ON position in order to supervise all annunciators on the loop. All remaining annunciators must have Switch 3 set to the OFF position for proper supervision and operation.

It is important to note that the function switches on all FDU-80 annunciators will operate regardless of the setting of Switch 3.

A break (open circuit) in the power or EIA-485 connections creates an FDU-80 Annunciator fault at the control panel. All annunciators before the break will continue to display information (*but the function switches on these FDU-80s will no longer operate*).

4 through 6 = Configuration for use with a particular FACP.

Switches 4, 5 and 6 are used to select the FACP (Fire Alarm Control Panel) which is being connected to the FDU-80. Refer to the following table for the appropriate switch settings.

Fire Alarm Control Panel	SW1-4	SW1-5	SW1-6
Use This Setting for: NFS2-640, NFS-320, NFS-640 (all releases) AFP-300/400 (with FACP software Version 3.62 or higher) FireWarden2-100/FireWarden-100 (all releases)	OFF	OFF	OFF
Future Use	OFF	OFF	ON
Future Use	OFF	ON	OFF
Future Use	OFF	ON	ON
Future Use	ON	ON	OFF
Future Use	ON	OFF	ON
Future Use	ON	ON	OFF
Future Use	ON	ON	ON

Table 2.1 Dip Switch Settings



NOTE: Depending on the FACP which is connected to the FDU-80, it may be necessary to enable communication with the annunciator in the FACP programming. Refer to the appropriate FACP manual for programming information.

7 and 8 = Future use.

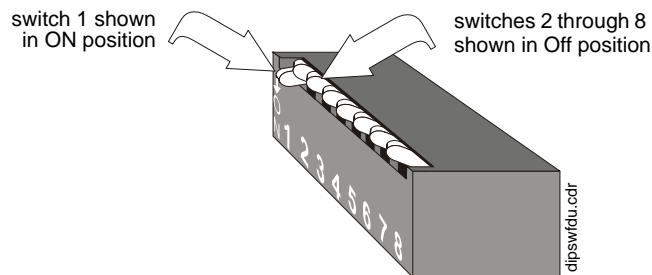


Figure 2.2 DIP Switch Settings Example

SW1 DIP switch settings as illustrated in Figure 2.2 are as follows:

- DIP switch 1: ON = Key-switch disabled (membrane function switches are always enabled with key-switch having no effect on their function).
- DIP switch 2: OFF = piezo sounder disabled (requires approval of AHJ)
- DIP switch 3: OFF = Receive Only. This setting is used for all annunciators except the last or only FDU-80 Annunciator on the EIA-485 line
- DIP switches 4 through 6: OFF = Configured correctly for operation with the available FACP
- DIP switches 7 and 8: OFF (these switches are not used)

Section 3: Operation

3.1 Display Patterns

The FDU-80 Annunciator directly displays (mimics) the information on the FACP display with the following exceptions:

Upon Power-up, the FDU-80 may display the following message until a valid message is received from the FACP:



INITIALIZING...
PLEASE WAIT

If an FDU-80 Annunciator fails to receive communications from the panel for a period of over 30 seconds, it will activate its local sounder (if so programmed) and display the following message:



COMMUNICATION FAULT!

A Communication Fault may be due to one of the following conditions:

- FACP has not been programmed to communicate with the FDU-80. Refer to the appropriate FACP manual programming section.
- EIA-485 wiring between the FDU-80 and FACP has an open.
- Polarity of the EIA-485 wiring between the FDU-80 and FACP has been reversed. EIA-485 (-) on the FDU-80 must be connected to EIA-485 (-) on the FACP and EIA-485 (+) on the FDU-80 must be connected to EIA-485 (+) on the FACP.

3.2 Switch Functions

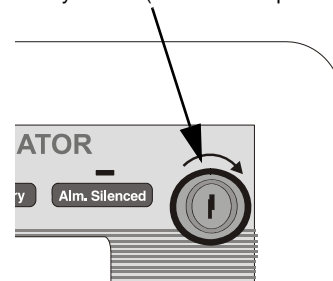
3.2.1 Key-switch

The key-switch is used to enable and disable the operation of the function switches if switch 1 on DIP switch SW1 has been placed in the OFF position.

To enable the Acknowledge, Silence, Drill and Reset function switches, insert key into key-switch located at the top right corner of the FDU-80. Make certain the key is inserted completely before attempting to turn it. Turn the key clockwise until it stops. Leave the key inserted while pressing the function switches. When finished with the function switches, turn key-switch counterclockwise to disable function switches.

Note that the key-switch should normally be in the disabled position (fully counterclockwise), with the key removed and access to the key restricted to authorized personnel only. Do not leave the key unattended in the FDU-80.

Key-switch (shown in Off position)



3.2.2 Acknowledge/Step

When the Acknowledge/Step switch is pressed and released, the FDU-80 sends an Acknowledge command to the control panel. Pressing the Acknowledge switch silences the local piezo sounder, the sounders located in all other system annunciators and the sounder located on the Fire Alarm Control Panel's main circuit board. Only one press is necessary regardless of the number of new alarms, troubles or supervisory signals.

An acknowledge message is also sent to the printer and the history files in the FACP. Multiple active events (alarms, troubles, supervisory) are scrolled on the display at a one second rate, but may be held for sequential display by pressing and holding the Acknowledge switch.

When more than one event exists, the first press of the Acknowledge switch silences system piezo sounders. The second press of the switch stops the scrolling and holds the event on the display for one minute. Subsequent pressing of the switch 'steps' through each active event.

3.2.3 Silence

When the Silence switch is pressed and released, the FDU-80 sends an alarm silence command to the control panel. The Silence switch performs the same functions as the Acknowledge switch. In addition, if an alarm exists, it turns off all silenceable NACs and causes the FACP Alarm Silenced LED to turn on while the FDU-80 will display a 'silenced' message. It also sends a 'Alarm Silenced' message to the printer and the history file within the FACP. A subsequent new alarm will resound the appropriate NACs (Notification Appliance Circuits) and local sounders.

3.2.4 Drill: Hold 2 Sec.

When the Drill switch is pressed and held for at least two seconds (time required to prevent accidental activations), the FDU-80 will transmit a drill command to the control panel. This command causes the FACP to turn on all NAC outputs and all silenceable circuits (all control modules/NACs that are programmed silenceable). In the event that the system was previously silenced, the drill command will also turn off the Alarm Silenced LED. The 'Manual Evacuate' message is shown on the FDU-80 display. The same message is sent to the FACP display, printer and history files. The Silence switch operates on *silenceable* NAC outputs only.

3.2.5 Reset

When the System Reset switch is pressed and released, the FDU-80 sends a Reset command to the control panel. This will turn off all control modules and Notification Appliance Circuits, temporarily turns off resettable power to 4-wire detectors, causes a 'System All Normal' message to be displayed on the FDU-80 and sends a 'System Reset' message to the FACP display, printer and FACP history files. It also turns on all system LEDs, piezo sounders and LCD display segments as long as the Reset switch is held (lamp test). Any alarm or trouble that exists after a Reset will resound the system.

3.3 LED Indicators

AC Power

This is a green LED which illuminates if AC power is applied to the host FACP. The green LED will turn off if AC power to the host FACP is lost.

Alarm

This is a red LED that turns on steady when one or more fire alarms occur. The Alarm LED turns off when the Reset switch is pressed.

Supervisory

This is a yellow LED that turns on steady when one or more supervisory conditions occur, such as a sprinkler valve tamper condition. It turns off when the Reset switch is pressed.

Trouble

This is a yellow LED that turns on steady when one or more trouble conditions occur. The LED turns off when all trouble conditions are cleared. This LED will also illuminate if the microprocessor watchdog circuit within the FDU-80 is activated.

Alarm Silenced

This is a yellow LED that turns on when the Silence switch is pressed to turn off the Notification Appliance Circuits. The LED turns off when the NACs turn back on or when the alarm condition is cleared and the FACP is reset back to a normal condition.

Section 4: Mounting

4.1 Annunciator Preparation

The FDU-80 Annunciator can be surface mounted in a three-gang electrical box such as the P/N SBB-3 (2.75" depth) or semi-flush mounted in a three-gang electrical box, P/N 10103 or equivalent, with a minimum depth of 2.1875". The FDU-80 Annunciator can also be mounted in three gangable electrical switch boxes connected together. Select and remove the appropriate knockout(s), pull the necessary wires through the knockouts and mount the box in or on the wall depending on the type of installation desired. *Be certain that power is not applied to the wiring during the installation procedure.*



NOTE: To ensure static protection, all enclosures, including the FDU-80 electrical box, must be connected to earth ground! Never use the shield for grounding purposes.

To mount the FDU-80 Annunciator in an electrical box, the trim ring must first be removed. The trim ring is held in place by two screws inserted through the top and bottom edge as illustrated in Figure 3-1. Removal of the trim ring will expose a metal flange with mounting holes. Refer to "Hardware and Backboxes" on page 12.

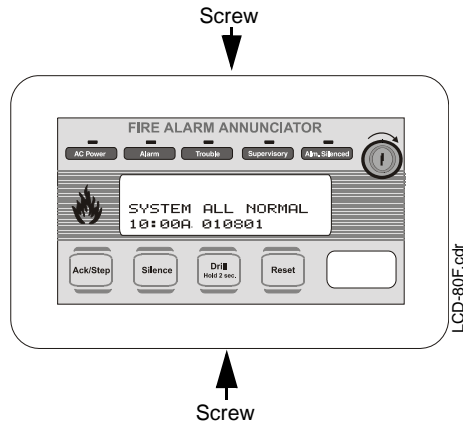


Figure 4.1 Trim Ring Removal

4.2 Semi-flush Mount Backbox

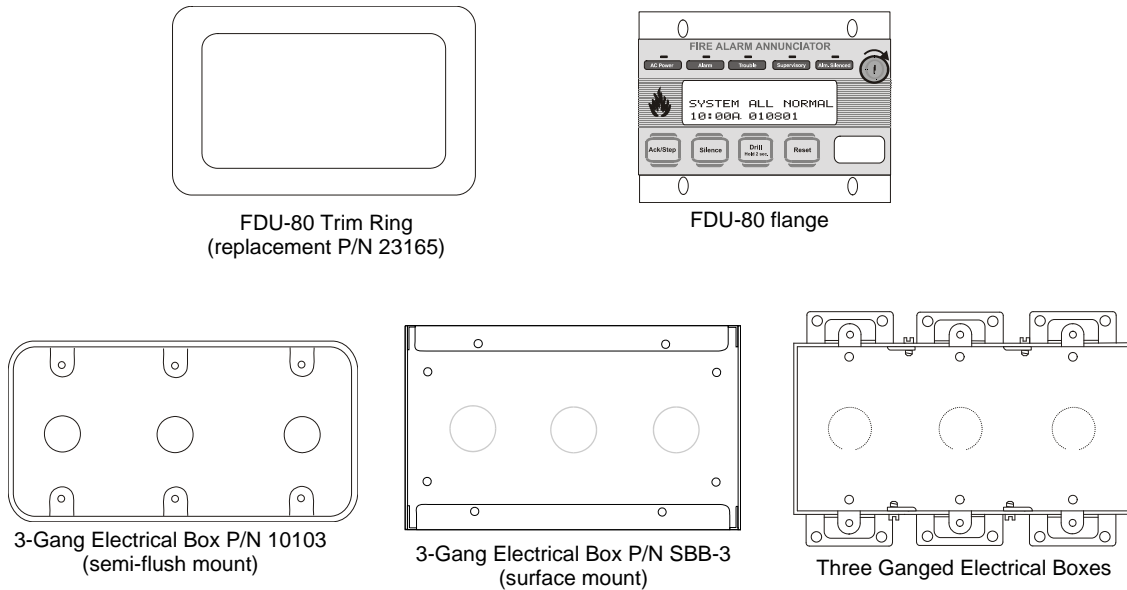


Figure 4.2 Hardware and Backboxes

4.2.1 Mounting in SBB-3 Three Gang Electrical Box

Remove the plug-in terminal blocks from the FDU-80 circuit board. Connect the EIA-485 and power wiring into the terminal block positions illustrated in Figure 5.1 on page 15 through Figure 5.5 on page 16. Plug the terminal blocks back into the P2 and P1 connectors on the back of the annunciator. Set DIP switch SW1 for the desired options. Refer to Figure 2.2 on page 9.

Carefully insert the FDU-80 into the three-gang electrical box P/N: 10103 or three electrical boxes ganged together and attach it using the four mounting holes on the FDU-80 flange and the four screws provided for this purpose. Replace the trim ring and secure with the two screws which were previously loosened. Adjust the plastic trim ring to the surface of the wall before tightening the screws. *Do not overtighten.*

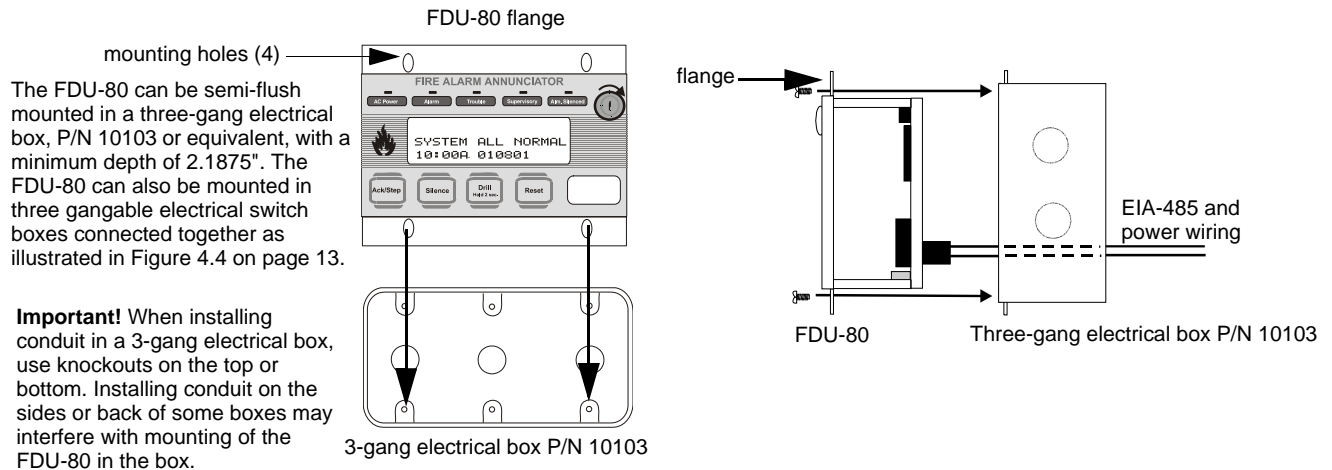


Figure 4.3 Mounting in SBB-3 Box

4.2.2 Mounting in Three Electrical Boxes Ganged Together

Remove the plug-in terminal blocks from the FDU-80 circuit board. Connect the EIA-485 and power wiring into the terminal block positions illustrated in Figure 5.1 on page 15 through Figure 5.5 on page 16. Plug the terminal blocks back into the P2 and P1 connectors on the back of the annunciator. Set DIP switch SW1 for the desired options. Refer to Figure 2.2 on page 9.

Carefully insert the FDU-80 into the three electrical boxes ganged together and attach it using the four mounting holes on the FDU-80 flange and the four screws provided for this purpose. Replace the trim ring and secure with the two screws which were previously loosened. Adjust the plastic trim ring to the surface of the wall before tightening the screws. *Do not overtighten.*

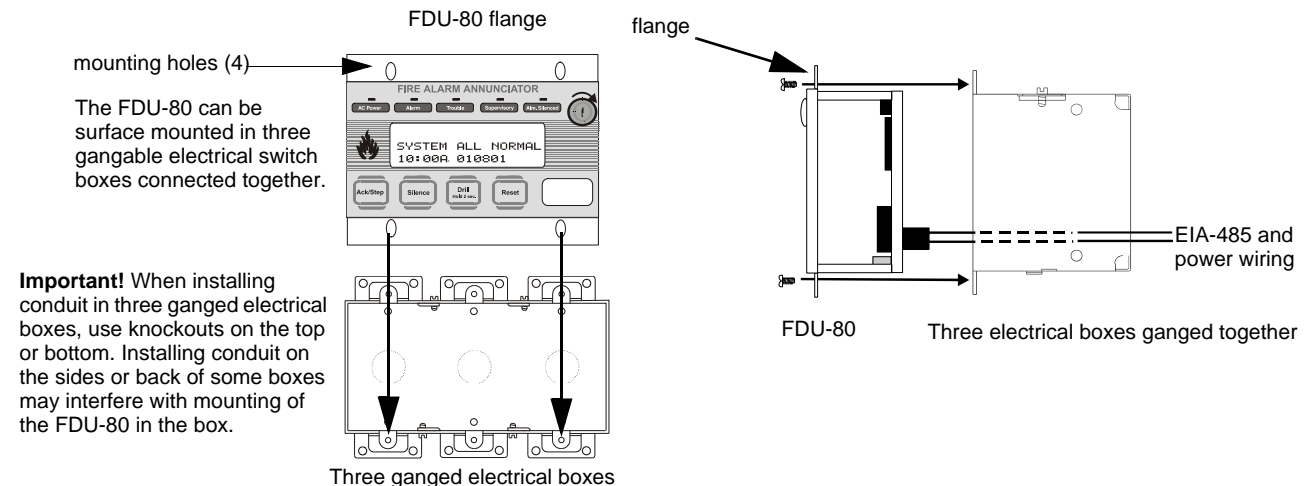


Figure 4.4 Mounting in Three Ganged Electrical Boxes

4.3 Surface Mount Backbox

Remove the plug-in terminal blocks from the FDU-80 circuit board. Connect the EIA-485 and power wiring into the terminal block positions illustrated in Figure 5.1 on page 15 through Figure 5.5 on page 16. Plug the terminal blocks back into the P2 and P1 connectors on the back of the annunciator circuit board. Set DIP switch SW1 for the desired options. Refer to Figure 2.2 on page 9.

Carefully insert the FDU-80 into the three-gang electrical box and attach it using the four mounting holes on the FDU-80 flange and the four screws provided for this purpose. *Do not overtighten.*

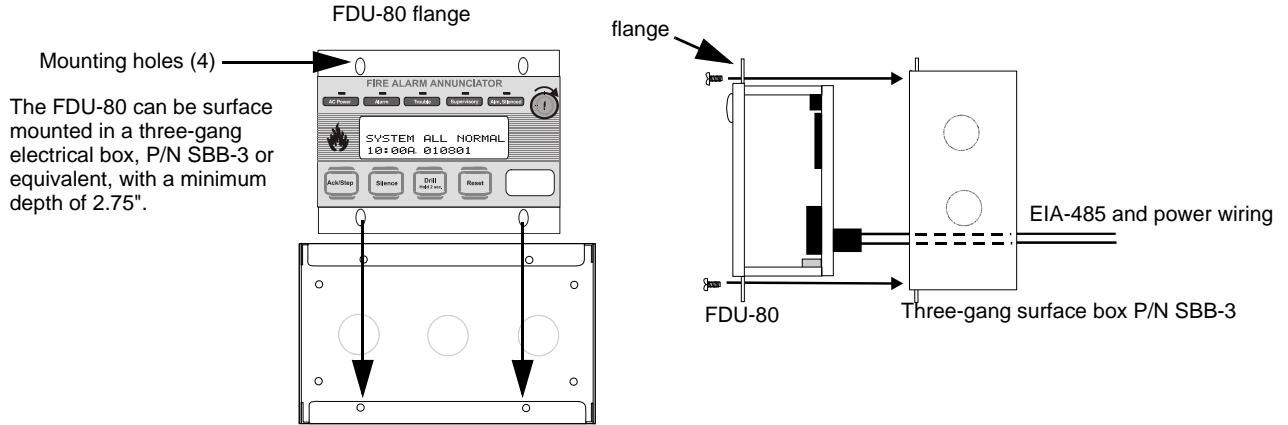


Figure 4.5 Surface Mounting

Section 5: Electrical Connections

5.1 Power Connections

The FDU-80 Annunciator can be powered by the FACP (refer to the specific technical manual for the proper connection of the FDU-80) or from a remote UL listed, filtered power supply such as the FCPS-24S6/8. The power run to the annunciator must be power-limited but need not contain a power supervision relay since loss of power is inherently supervised through loss of communication with the annunciator. Maximum FDU-80 current draw from the power supply (under normal and alarm conditions) is 64.3 mA. Maximum current draw from the control panel's secondary power source (batteries) under loss of AC power is 25 mA, since the LCD backlight is turned off during AC loss. Backlighting is turned back on during AC loss only for alarm conditions in the system. 12 - 18 AWG (0.75 - 3.25 mm²) wire for 24 VDC circuit is acceptable. Power wire distance limitation is set by 1.2 volt maximum line drop from source to end of circuit.

5.2 Specifications for the FDU-80

- Operating Voltage Range: 18 VDC to 28 VDC
- Current Consumption @ 24 VDC nominal (filtered and nonresettable):
- Normal/Standby (no activity): 64.3 mA
- Trouble Condition: 64.3 mA
- Alarm: 64.3 mA
- AC Fail (not backlit): 25 mA

Refer to the illustrations on the following pages for FDU-80 connections to the FireWarden NFW2-100, NFS2-640, NFS-320, and FCPS-24S6/8 .



NOTE: These connections must be power-limited and the +24 VDC nominal power input must be filtered and nonresettable.

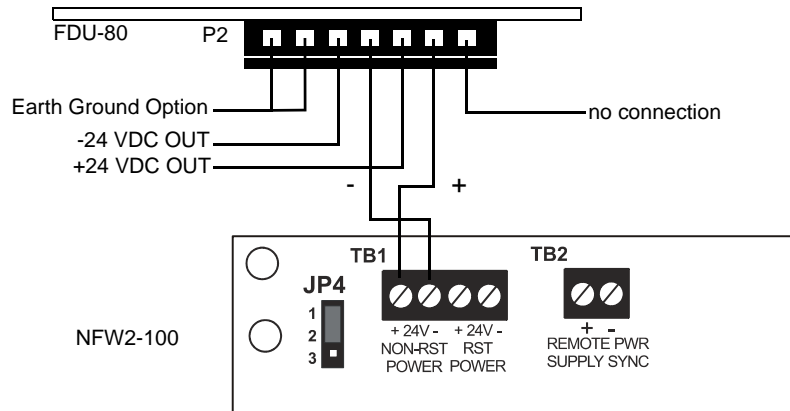


Figure 5.1 Power Wiring to the NFW2-100

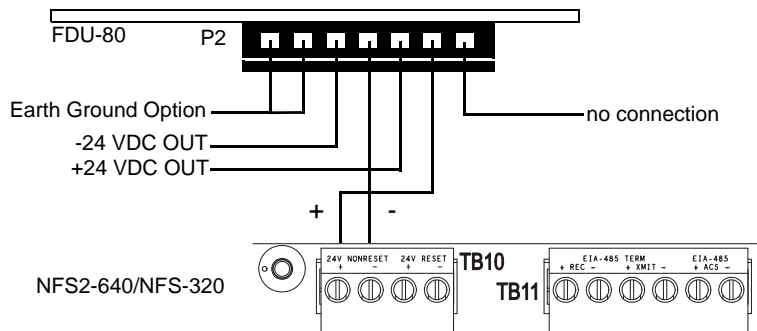


Figure 5.2 Power Wiring to the NFS2-640/NFS-320

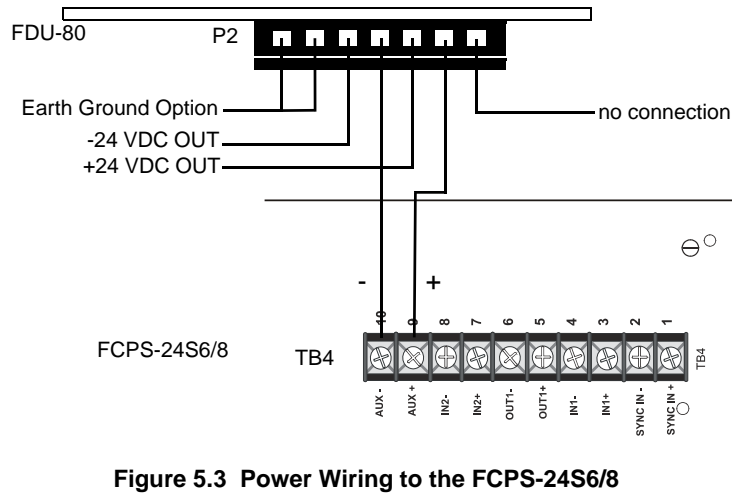


Figure 5.3 Power Wiring to the FCPS-24S6/8

5.3 EIA-485 Connections

EIA-485 connections are made to P1 on the FDU-80. All connections must be power-limited and supervised. Enable FACP communication with the FDU-80 in the FACP programming if appropriate (refer to FACP manual). A maximum of 32 FDU-80 annunciators may be connected to this circuit. A maximum distance of 6,000 feet (1,829 m) @ 18 AWG (0.75 mm²) is allowed between the FACP and first FDU-80, between each FDU-80 and return to the FACP from last FDU-80. Use overall foil/braided-shielded twisted pair cable suitable for EIA-485 applications (refer to “EIA-485 Shield Termination” on page 17, for shield termination information). Six conductor overall shielded wire may be used for the four EIA-485 wires and the two power wires. It is, however, strongly recommended that the power and communication wires be separate whenever possible. A Ferrite Core P/N FBD-1 is required to meet FCC Part 15 requirements if the EIA-485 wiring is not in conduit. The EIA-485 circuit is rated at 5.5 VDC maximum and 60 mA maximum. The FDU-80 annunciator has resistors built into the circuit board at the In (Terminals 2 & 4) and the Out (Terminals 1 & 3) for impedance matching. There is no need for the installer to add impedance matching resistors.

Refer to the illustrations on the following pages for FDU-80 connections to the FireWarden NFW2-100, NFS2-640, and NFS-320.

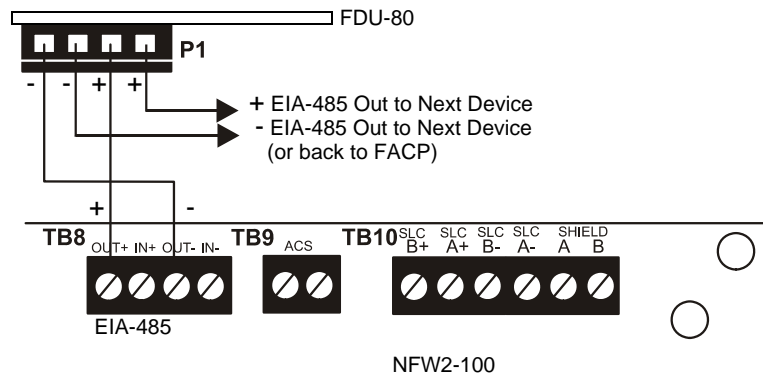


Figure 5.4 EIA-485 Wiring to the NFW2-100

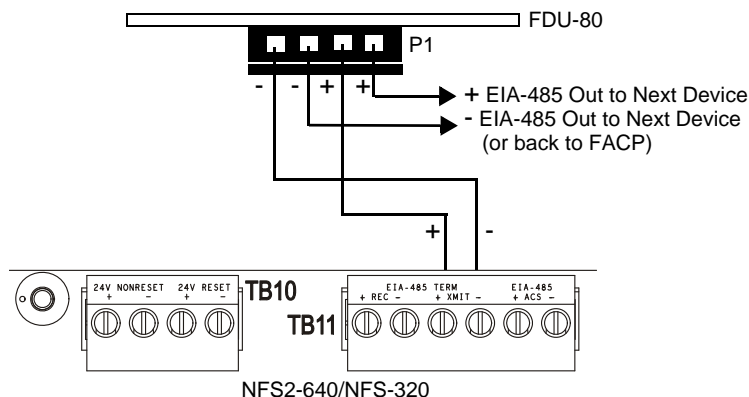


Figure 5.5 EIA-485 Wiring to the NFS2-640/NFS-320

Section 6: EIA-485 Shield Termination

The EIA-485 circuit must be wired using a twisted, shielded pair cable with a characteristic impedance of 120 ohms (+/- 20%). Do not run cable adjacent to or in the same conduit as 120 VAC service, noisy electrical circuits that are powering mechanical bells or horns, audio circuits above 25 V_{RMS}, motor control circuits or SCR power circuits.



NOTE: To ensure static (ESD - electrostatic discharge) protection, all enclosures, including the FDU-80 electrical box, must be connected to earth ground! Never use the EIA-485 shield for this purpose. The EIA-485 shield is for radiated noise emission protection (RFI, EMI). Refer to the following figures for details on EIA-485 shield termination.

6.1 Shield Not in Conduit

The EIA-485 line allows the FACP to communicate with the FDU-80 Annunciator. The shield for the EIA-485 line must be connected to earth ground at the FACP but must be left floating (no connection) at the annunciator if it is the first or only device on the EIA-485 line. If a second annunciator is connected, the shield leaving the first annunciator must be left floating. The shield entering the second annunciator must be connected to the three-gang box or Earth Ground terminal (P2-7) on the second annunciator. If additional annunciators are connected, the shield leaving each enclosure must be left floating and the shield entering each must be connected to the three-gang box or the Earth Ground terminal (P2-7) on the annunciator.

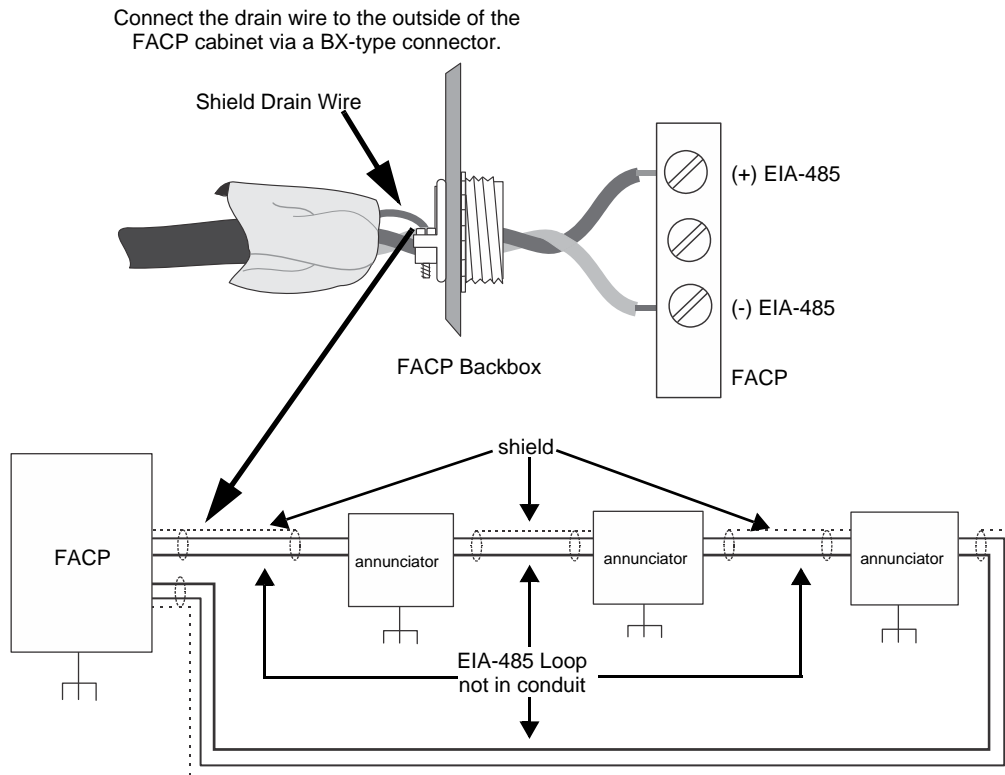


Figure 6.1 EIA-485 Without Conduit

6.2 Shield in Full Conduit

The EIA-485 line allows the FACP to communicate with the FDU-80 Annunciator. The shield for the EIA-485 line must be connected to earth ground at the FACP (both exiting and entering the FACP) but must be left floating (no connection) at the annunciator if it is the first or only device on the EIA-485 line. If a second annunciator is connected, the shield leaving the first annunciator must be floating. The shield entering the second annunciator must be connected to the Earth Ground terminal (P2-7) on the second annunciator. If additional annunciators are connected, the shield leaving each annunciator must be left floating and the shield entering the following unit must be connected to the Earth Ground terminal (P2-7) on the annunciator.



CAUTION: INSULATE SHIELD

DO NOT ALLOW THE FLOATING SHIELD END (NO CONNECTION) TO CONTACT THE CONDUIT. THE FLOATING END SHOULD BE INSULATED FROM EARTH GROUND.

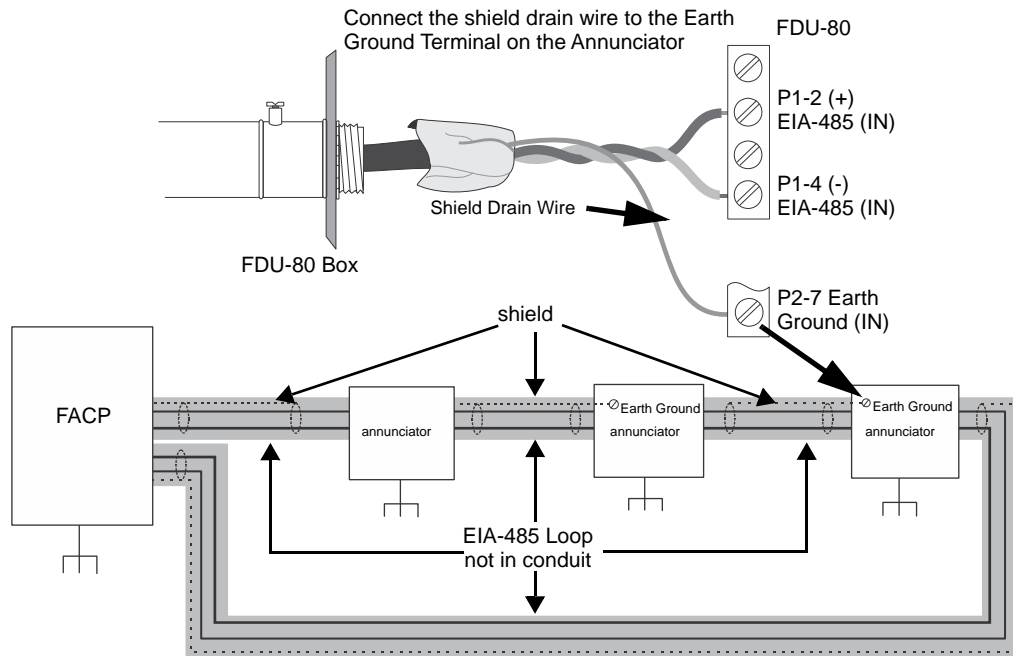


Figure 6.2 EIA-485 in Conduit

Notes:

1. Power-limited 24 VDC power may be run in the same conduit as the EIA-485 wiring
2. Twisted, shielded wire is recommended for the EIA-485 communications loop
3. Each electrical backbox is connected to earth ground via the conduit
4. Shield is connected to the FACP cabinet (earth ground) leaving and entering the FACP

Appendix A: UL 864 8th Edition Applications



WARNING: AHJ APPROVAL

THE NFS-640, AFP-300/400, AND FIREWARDEN NFW-100 HAVE NOT BEEN CERTIFIED TO COMPLY WITH THE REQUIREMENTS IN THE STANDARD FOR CONTROL UNITS AND ACCESSORIES FOR FIRE ALARM SYSTEMS, UL 864 9TH EDITION. OPERATION OF THESE PRODUCTS WITH PRODUCTS TESTED FOR UL 864 9TH EDITION HAS NOT BEEN EVALUATED. SUCH OPERATION REQUIRES THE APPROVAL OF THE LOCAL AUTHORITY HAVING JURISDICTION (AHJ).

A.1 Power Connections

The power run to the annunciator must be power-limited and supervised. Maximum FDU-80 current draw from the power supply (under normal and alarm conditions) is 64.3 mA. Maximum current draw from the control panel's secondary power source (batteries) under loss of AC power is 25 mA. Use 12-18 AWG (0.75-3.25 mm²) wire for 24VDC circuit connections. Power wire distance limitation is set by 1.2 volt maximum line drop from source to end of circuit.

Refer to the following illustrations for power connections (24 VDC, Non-Resettable Power) to UL 8th edition panels: NFS-640, AFP-300/400, and FireWarden NFW-100.

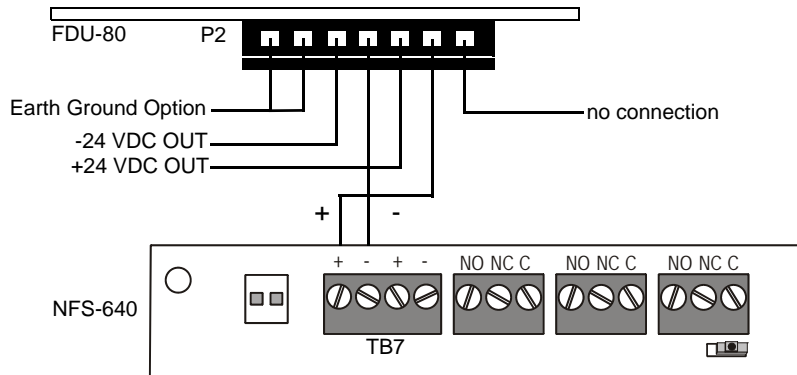


Figure A.1 Power Wiring to the NFS-640

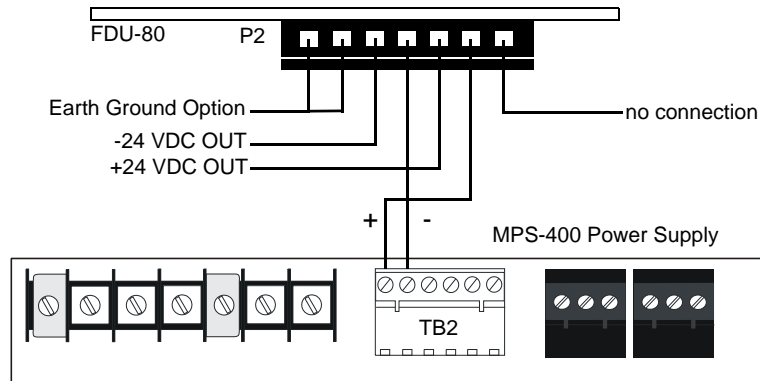


Figure A.2 Power Wiring to the AFP-300/400

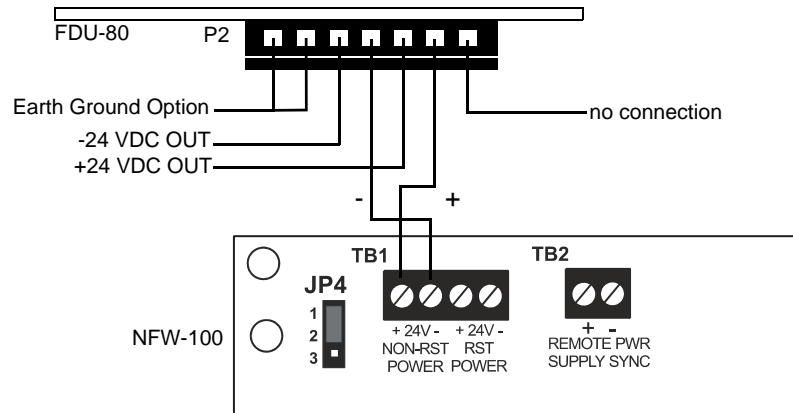


Figure A.3 Power Wiring to the NFW-100

A.2 EIA-485 Connections

EIA-485 connections to the annunciator must be power-limited and supervised. A maximum distance of 6,000 feet (1829 m) @ 18 AWG (0.75mm²) twisted, shielded cable is allowed between the FACP and first FDU-80, between each FDU-80 and return to the FACP from the last FDU-80. The EIA-485 circuit is rated at 5.5 VDC maximum and 60 mA maximum. Programming at the FACP may be required to enable EIA-485 communication. Refer to the appropriate FACP Programming Manual.

Refer to the following illustrations for EIA-485 connections to UL 8th edition panels: NFS-640, AFP-300/400, and FireWarden NFW-100.

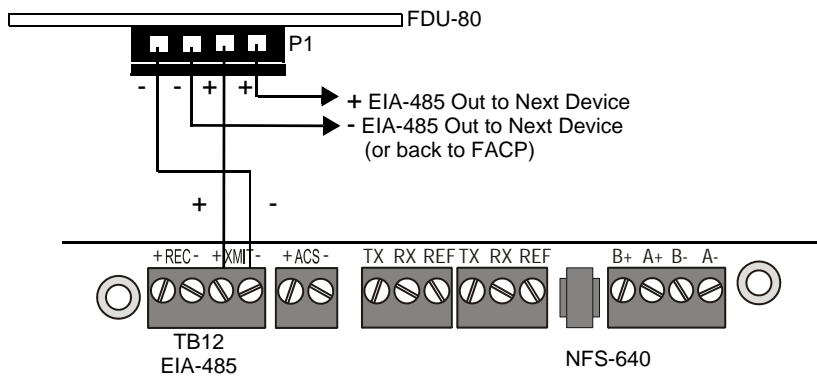


Figure A.4 EIA-485 Wiring to the NFS-640

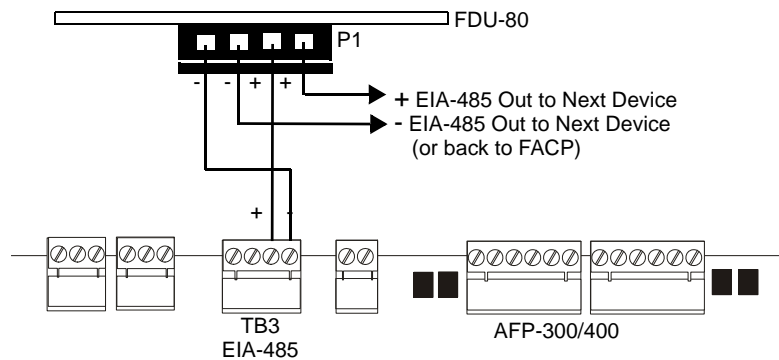


Figure A.5 EIA-485 Wiring to the AFP-300/400

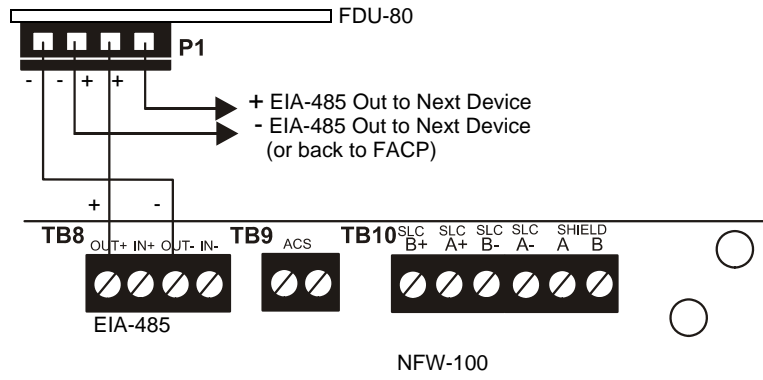


Figure A.6 EIA-485 Wiring to the NFW-100

Index

Numerics

80-character 7

A

AC loss 7
acknowledge switch 7, 10
Acknowledge/Step switch 7
 see also acknowledge switch 10
AFP-300/400
 EIA-485 20
 Power 19
AHJ 8
alarm LED 7, 11
alarm silence switch 7
alarm silenced LED 7, 10, 11
annunciator 7
Authority Having Jurisdiction
 see also AHJ 8

B

backboxes 7, 12
backlit 7

C

communication 7, 8
communication failure 10
Communication Fault 10
components 8
configuration
 see also FACP selection 8
current specifications 15
custom alpha labels 7

D

device type identifiers 7
DIP switch settings
 see also switch settings, example 9
DIP switches 7, 8
display information 7
display on powerup 10
distance, maximum 7
drill switch 7, 10

E

earth ground 12
EIA-485 7, 8, 13, 14, 16, 18
 shield 17
EIA-485 wiring 16
electrical connections 15
enable/disable 7
 see also key-switch 8

F

FACP compatibility 7
FACP selection 8
Fault 10
FBD-1 Ferrite Core 16
FCC Part 15 requirements 16

FCPS-24S6/8 Power 16
ferrite core 16
flange 13, 14
function switches 7, 8
 see also switch functions 10

G

grounding 12, 17, 18

K

key-switch 8, 10

L

LCD display 7
 see also display on powerup 10
LED 7
 see also system status 7
LEDs 11

M

maximum annunciators 7
mounting 12, 13, 14
mounting options 7
MS-9200UDLS
 Power 15

N

NFS2-640
 EIA-485,NFS-320
 EIA-485 16
 Power 15
NFS-320
 Power 15
NFS-640
 EIA-485 20
 Power 19
NFW-100
 EIA-485 21
 Power 20
NFW2-100
 EIA-485 16
 Power 15

O

operation 10

P

piezo sounder 7, 8, 10
power for annunciator 7
power LED 7, 11
power requirements 15
power source 15
power-limited 15
programming 7

R

receive only
 see also communication 8

receive/transmit
 see also communication 8
reset switch 7, 10, 11
resound, piezo 7

S

SBB-3 backbox 12, 13
semi-flush mounting 12
shield
 no conduit 17
 see also EIA-485 17
silence switch 7, 10
specifications 15
static protection 12, 17
supervision 8, 15
supervisory LED 7, 11
surface mounting 14
SW1 10
 see also DIP switches 8
switch functions 10
switch settings 8
switch settings, example 9
system status 7

T

terminal block 7, 13, 14
three gang electrical boxes 12
three ganged electrical boxes 13
trim ring 12, 13, 14
trouble LED 7, 11

W

wiring
 conduit 18
 EIA-485 16
 ferrite core 16
 no conduit 17
 power 15
 type 16

Manufacturer Warranties and Limitation of Liability

Manufacturer Warranties. Subject to the limitations set forth herein, Manufacturer warrants that the Products manufactured by it in its Northford, Connecticut facility and sold by it to its authorized Distributors shall be free, under normal use and service, from defects in material and workmanship for a period of thirty six months (36) months from the date of manufacture (effective Jan. 1, 2009). The Products manufactured and sold by Manufacturer are date stamped at the time of production. Manufacturer does not warrant Products that are not manufactured by it in its Northford, Connecticut facility but assigns to its Distributor, to the extent possible, any warranty offered by the manufacturer of such product. This warranty shall be void if a Product is altered, serviced or repaired by anyone other than Manufacturer or its authorized Distributors. This warranty shall also be void if there is a failure to maintain the Products and the systems in which they operate in proper working conditions.

MANUFACTURER MAKES NO FURTHER WARRANTIES, AND DISCLAIMS ANY AND ALL OTHER WARRANTIES, EITHER EXPRESSED OR IMPLIED, WITH RESPECT TO THE PRODUCTS, TRADEMARKS, PROGRAMS AND SERVICES RENDERED BY MANUFACTURER INCLUDING WITHOUT LIMITATION, INFRINGEMENT, TITLE, MERCHANTABILITY, OR FITNESS FOR ANY PARTICULAR PURPOSE. MANUFACTURER SHALL NOT BE LIABLE FOR ANY PERSONAL INJURY OR DEATH WHICH MAY ARISE IN THE COURSE OF, OR AS A RESULT OF, PERSONAL, COMMERCIAL OR INDUSTRIAL USES OF ITS PRODUCTS.

This document constitutes the only warranty made by Manufacturer with respect to its products and replaces all previous warranties and is the only warranty made by Manufacturer. No increase or alteration, written or verbal, of the obligation of this warranty is authorized. Manufacturer does not represent that its products will prevent any loss by fire or otherwise.

Warranty Claims. Manufacturer shall replace or repair, at Manufacturer's discretion, each part returned by its authorized Distributor and acknowledged by Manufacturer to be defective, provided that such part shall have been returned to Manufacturer with all charges prepaid and the authorized Distributor has completed Manufacturer's Return Material Authorization form. The replacement part shall come from Manufacturer's stock and may be new or refurbished. THE FOREGOING IS DISTRIBUTOR'S SOLE AND EXCLUSIVE REMEDY IN THE EVENT OF A WARRANTY CLAIM.

Warn-HL-08-2009.fm

NOTIFIER
12 Clintonville Road
Northford, CT 06472-1610 USA
203-484-7161
www.notifier.com

