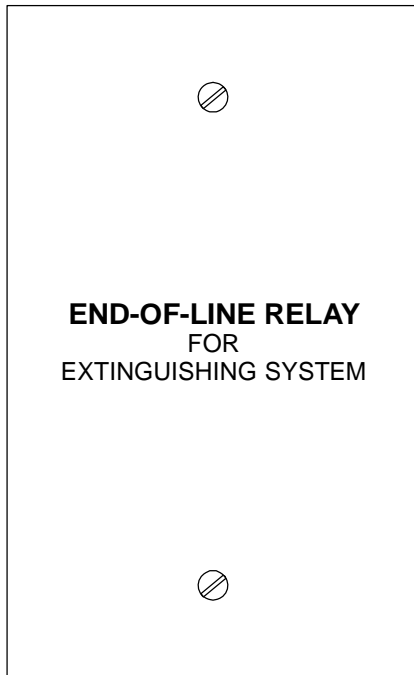


Product description



The End-of-Line Relay facilitates the connection of a nonpolarized releasing solenoid to a supervised, polarized releasing circuit.

Specifications

Operating voltage: 18.4 to 27.4 VDC

Operating current: 26 mA

Supervisory current: 0.2 mA

Solenoid current: 2 A max.

Construction: Metal faceplate

Maximum wire size: 12 AWG

Mounting

North American 2.5 in. (64 mm) deep 1-gang box
Standard 4 in. square box, 1.5 in. (38 mm) deep box with 1-gang cover

Installation instructions

WARNINGS

- Disconnect power before installing or removing components. Failure to do so may result in serious injury or loss of life.
- This device will not operate without electrical power. As fires frequently cause power interruption, we suggest you discuss further safeguards with your local fire protection specialist.

To install the RELA-EOL:

1. Verify that all field wiring is free of opens, shorts, and ground faults.
2. Make the wiring connections shown in the wiring diagram.
3. Mount the relay and faceplate to the electrical box with the 6-32 screws provided.

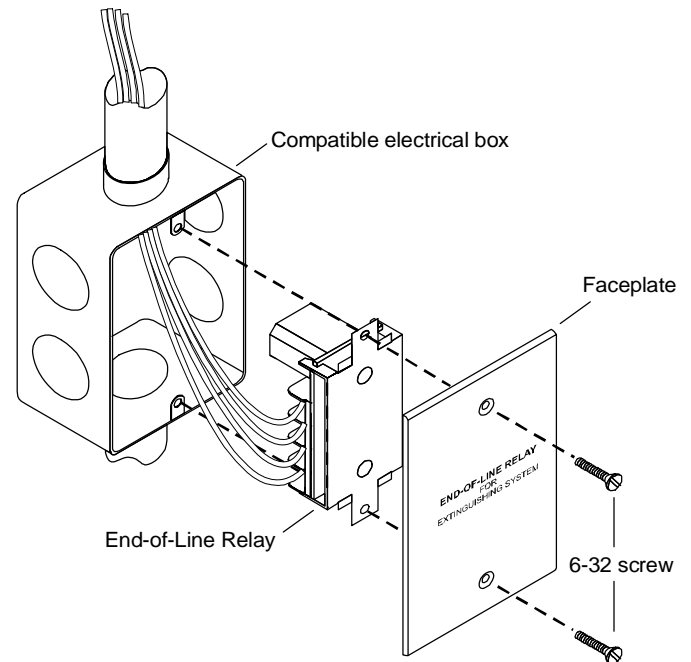


Figure 1: Installing the RELA-EOL

Wiring diagram

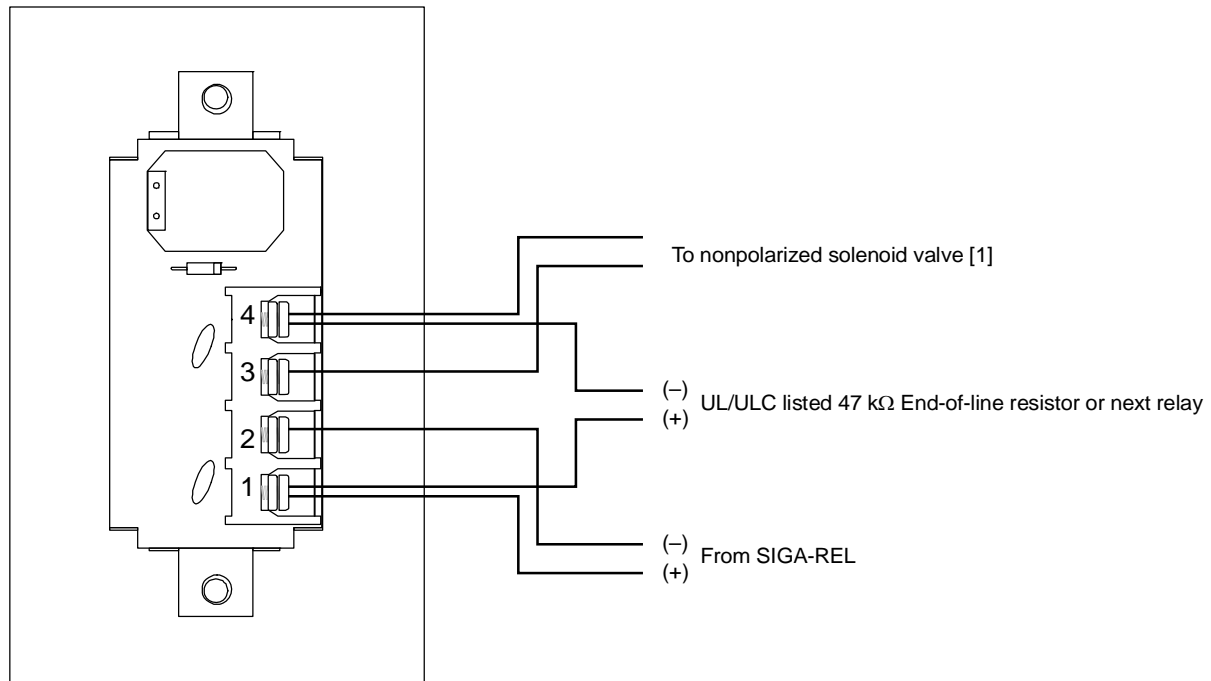


Figure 2: Rear view of the RELA-EOL showing wiring

Notes

- [1] Must be in conduit and within 20 feet.
- Polarity shown is for release active.
- All circuits are supervised and Class B.