

SBO-140BW

Back Box



Key Features

- Color: White
- Material: Aluminum
- Weight: 420g (0.93lb)
- Mount screw size: TR20

Compatible Devices



QNO-C8083R



QNO-C9083R



QNO-C6083R



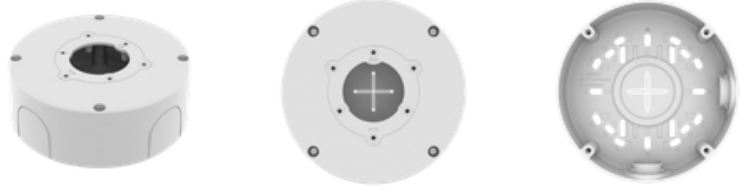
QNO-C8013R



QNO-C8023R

SBO-140BW

Back Box

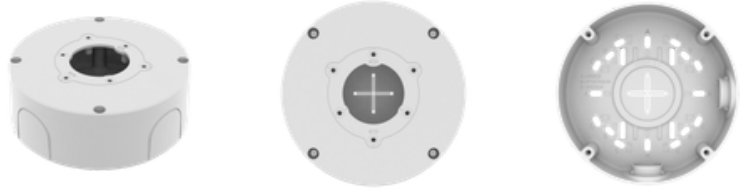


Specifications

Mechanical	
Color	White
Material	Aluminum
RAL code	RAL9003
Product dimensions / weight	ø143x50.8mm / 420g
Mount Screw size	TR20
Max. load	5kg
Conduit hole	19.1mm(3/4")(M25)
Supported products	QNO-C6083R, QNO-C8083R, QNO-C9083R ※ For further compatible models, please visit our website or use Toolbox

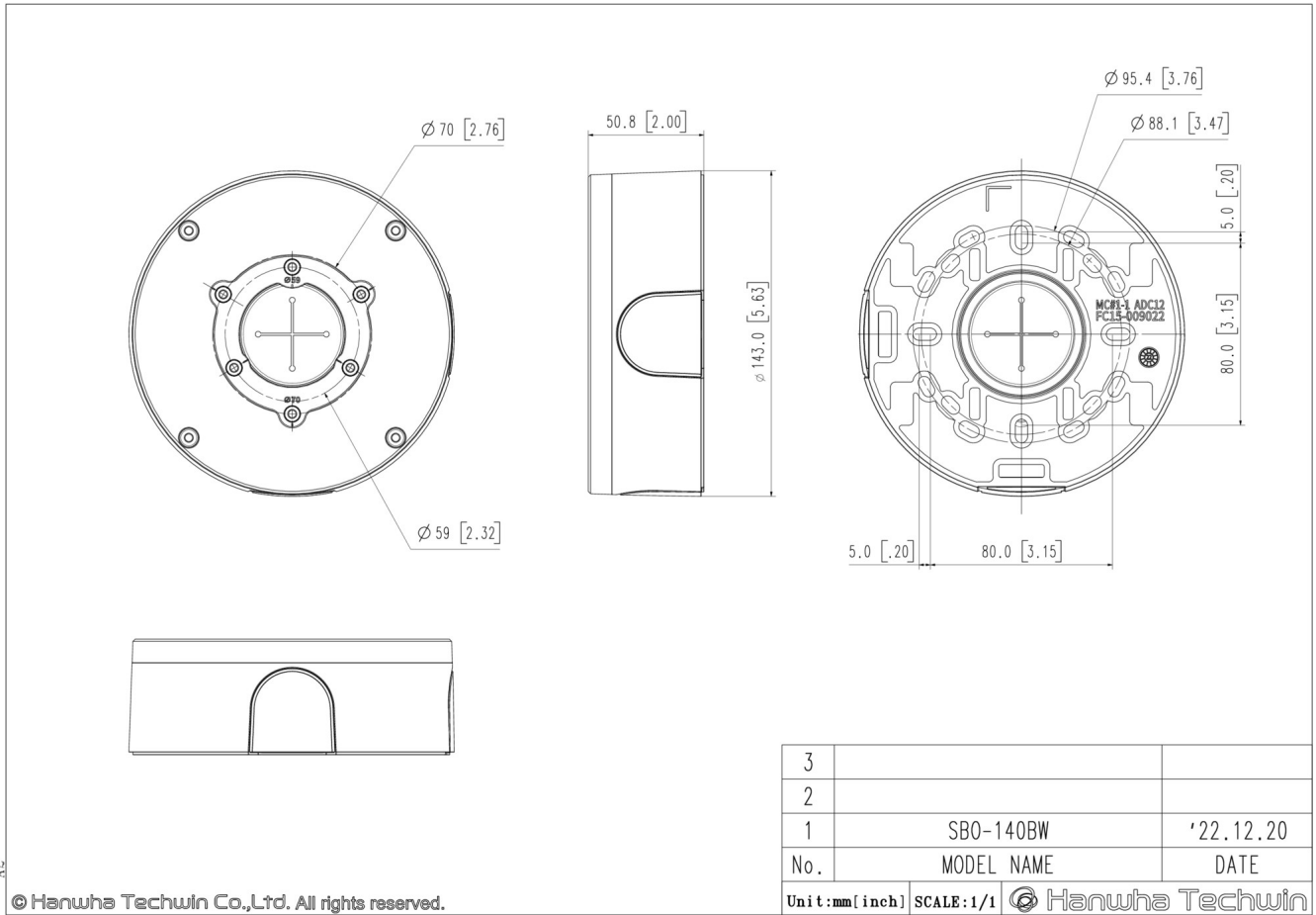
SBO-140BW

Back Box



CAD

Unit: mm [inch]



© Hanwha Techwin Co., Ltd. All rights reserved.