



# Indoor Selectable-Output Speaker Strobes and Dual Voltage Evacuation Speakers for Wall Applications

*The SpectrAlert® Advance selectable output speaker strobes and dual-voltage evacuation speakers can reduce ground faults and enable faster installation.*

## Features

- Plug-in design and protective cover reduce ground faults
- Universal mounting plate with an onboard shorting spring tests wiring continuity before installation
- No extension ring required
- Field selectable candela settings:  
Standard: 15, 15/75, 30, 75, 95, 110, 115  
High: 135, 150, 177, 185
- Automatic selection of 12- or 24-volt operation at 15 and 15/75 candela
- Rotary switch simplifies field selection of speaker voltage (25 and 70.7 Vrms) and power settings (¼, ½, 1 and 2 watts)
- SP speakers offer high fidelity sound output
- SPV speakers offer high volume sound output
- Compatible with System Sensor synchronization protocol
- Electrical compatibility with existing SpectrAlert products
- Tamper-resistant construction
- Listed for ceiling or wall mounting

## Agency Listings



**The SpectrAlert Advance Series** of speakers and speaker strobes reduce costly ground faults using a plug-in design and universal mounting plate that allow the installer to pre-wire mounting plates, dress the wires, and confirm wiring continuity before plugging in the speakers. In addition, a protective plastic cover prevents nicked wires by covering exposed speaker components.

These devices also enable faster installations by providing instant feedback to ensure that wiring is properly connected, rotary switches to select voltage and power settings, and 11 field-selectable candela settings for both wall and ceiling speaker strobes.

The low total harmonic distortion of the SP speaker offers high fidelity sound output while the SPV speaker offers high volume sound output for use in high ambient noise applications.

### **SpectrAlert Advance makes installation easy**

- Attach a universal mounting plate to a 4 × 4 × 2 1/8 inch back box. Flush-mount applications do not require an extension ring.
- Connect the notification appliance circuit or speaker wiring to the terminals on the mounting plate.
- Attach the speaker or speaker strobe to the mounting plate by inserting the product tabs into the mounting plate grooves. Hinge the device into position to lock the product pins into the mounting plate terminals. The device will temporarily hold in place with a catch until it is secured with a captured mounting screw.

# SpectrAlert Advance Speaker and Speaker Strobe Specifications

## Architectural/Engineering Specifications

### General

SpectrAlert Advance speaker and speaker strobes shall mount to a 4 × 4 × 2 1/8-inch back box. A universal mounting plate shall be used for mounting ceiling and wall products. The notification appliance circuit and amplifier wiring shall terminate at the universal mounting plate. Also, SpectrAlert Advance speaker strobes, when used with the Sync•Circuit™ Module accessory, shall be powered from a non-coded notification appliance circuit output and shall operate on a nominal 12 or 24 volts. When used with the Sync•Circuit Module, 12-volt rated notification appliance circuit outputs shall operate between 8.5 and 17.5 volts; 24-volt rated notification appliance circuit outputs shall operate between 16.5 and 33 volts. Indoor SpectrAlert Advance products shall operate between 32°F and 120°F from a regulated DC, or full-wave rectified, unfiltered power supply. Speaker strobes shall have field-selectable candela settings including 15, 15/75, 30, 75, 95, 110, 115, 135, 150, 177, 185.

### Speaker

The speaker shall be a System Sensor SpectrAlert Advance model \_\_\_\_\_ dual-voltage transformer speaker capable of operating at 25.0 or 70.7 nominal Vrms. It should be listed to UL 1480 and shall be approved for fire protective service. The speaker shall have a frequency range of 400 to 4,000 Hz and shall have an operating temperature between 32°F and 120°F. The speaker shall have power taps and voltage that are selected by rotary switches.

### Speaker Strobe combination

The speaker strobe shall be a System Sensor SpectrAlert Advance model \_\_\_\_\_ listed to UL1480 and UL 1971 and be approved for fire protective signaling systems. The speaker shall be capable of operating at 25.0 or 70.7 nominal Vrms selected via rotary switch, and shall have a frequency range of 400 to 4,000 Hz. The speaker shall have power taps that are selected by rotary switch. The strobe shall comply with the NFPA 72 requirements for visible signaling appliances, flashing at 1 Hz over the strobe's entire operating voltage range. The strobe light shall consist of a xenon flash tube and associated lens/reflector system.

### Synchronization Module

The module shall be a System Sensor Sync•Circuit model MDL3 listed to UL 464 and shall be approved for fire protective service. The module shall synchronize SpectrAlert strobes at 1 Hz. The module shall mount to a 4 1/16 × 4 1/16 × 2 1/8-inch back box. The module shall also control two Style Y (class B) circuits or one Style Z (class A) circuit. The module shall synchronize multiple zones. Daisy chaining two or more synchronization modules together will synchronize all the zones they control. The module shall not operate on a coded power supply.

## Physical Specifications

<b>Operating Temperature</b>	32°F to 120°F (0°C to 49°C)		
<b>Humidity Range</b>	10 to 93% non-condensing		
<b>Dimensions, Wall-Mount</b>	<b>Length</b>	<b>Width</b>	<b>Depth</b>
<b>SP Speaker</b>	6 in, 152 mm	5 in, 127 mm	2.8 in, 71 mm
<b>SPV Speaker</b>	6 in, 152 mm	5 in, 127 mm	2.9 in, 74 mm
<b>With Surface Mount Back Box</b>	6 in, 152 mm	5.1 in, 130 mm	3.4 in, 86 mm
<b>SPS Speaker/Strobe (including lens and speaker)</b>	6 in, 152 mm	5.1 in, 127 mm	4.7 in, 119 mm
<b>With Surface Mount Back Box</b>	6 in, 152 mm	5.1 in, 130 mm	5.325 in, 135 mm

## Electrical/Operating Specifications

<b>Nominal Voltage (speakers)</b>	25 Volts or 70.7 Volts (nominal)
<b>Maximum Supervisory Voltage (speakers)</b>	50 VDC
<b>Strobe Flash Rate</b>	1 flash per second
<b>Nominal Voltage (strobes)</b>	Regulated 12 VDC/ FWR or regulated 24 DC/FWR
<b>Operating Voltage Range (includes fire alarm panels with built in sync)</b>	8 to 17.5 V (12 V nominal) or 16 to 33V (24 V nominal)
<b>Operating Voltage with MDL3 Sync Module</b>	8.5 to 17.5 V (12 V nominal) or 16.5 to 33V (24 V nominal)
<b>Frequency Range</b>	400 to 4000 Hz
<b>Power</b>	¼, ½, 1, 2 watts

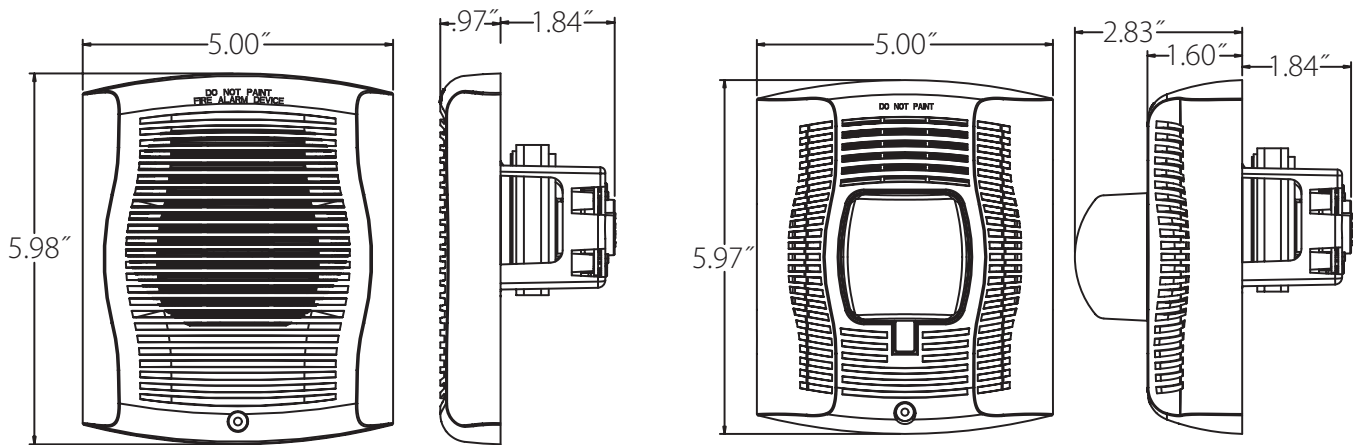
## UL Current Draw Data

UL Max. Strobe Current Draw (mA RMS)					
	Candela	8 to 17.5 Volts		16 to 33 Volts	
		DC	FWR	DC	FWR
<b>Standard</b>	15	123	128	66	71
<b>Candela Range</b>	15/75	142	148	77	81
	30	NA	NA	94	96
	75	NA	NA	158	153
	95	NA	NA	181	176
	110	NA	NA	202	195
	115	NA	NA	210	205
<b>High</b>	135	NA	NA	228	207
<b>Candela Range</b>	150	NA	NA	246	220
	177	NA	NA	281	251
	185	NA	NA	286	258

Sound Output				
UL Reverberant (dBA @ 10 ft.)	2W	1W	½ W	¼ W
Wall-Mount SP Series	86	83	80	77
Wall-Mount SPV Series	90	87	84	81
Wall-Mount SPS Series	85	82	79	76
Wall-Mount SPSV Series	89	86	83	80

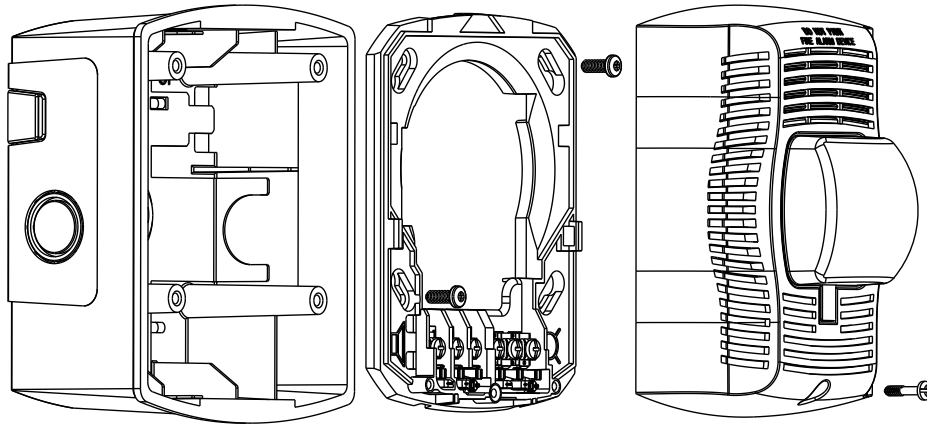
## Dimensions



Wall-Mount SP Speaker

Wall-Mount SPS Speaker Strobe

## Surface Mounting



Wall-Mount Speaker Strobe with SBBSPR Surface Mount Back

## Ordering Information for SpectrAlert® Advance Speakers and Speaker Strobes

Wall Mount		
White	Red	Description
SPW	SPR	Speaker only
SPWV	SPRV	Speaker only, High dB
SPSW	SPSR	Speaker Strobe, Standard cd
SPSW-P	SPSR-P	Plain Speaker Strobe, Standard cd
SPSW-ALERT	—	Speaker Strobe, Standard cd, Amber Lens
SPSW-CLR-ALERT	—	Speaker Strobe, Standard cd, Clear Lens
SPSWH	SPSRH	Speaker Strobe, High cd
SPSWH-P	—	Plain Speaker Strobe, High cd
SPSWV	SPSRV	Speaker Strobe, Standard cd, High dB
SPSWV-P	SPSRV-P	Plain Speaker Strobe, Standard cd, High dB
Accessories		
White	Red	Description
RFPW	RFP	7 in × 9.5 in Retrofit Plate
SBBSPW	SBBSPR	Surface Mount Back Box for Speakers and Speaker Strobes
TRW	TR	Wall Mount Trim Ring

### Notes:

All -P models have a plain housing (no "FIRE" marking on the cover)

"Standard cd" refers to strobes that include 15, 15/75, 30, 75, 95, 110, and 115 candela settings.

"High cd" refers to strobes that include 135, 150, 177, and 185 candela settings.



3825 Ohio Avenue • St. Charles, IL 60174  
 Phone: 800-SENSOR2 • Fax: 630-377-6495  
[www.systemsensor.com](http://www.systemsensor.com)

©2015 System Sensor.  
 Product specifications subject to change without notice. Visit [systemsensor.com](http://systemsensor.com)  
 for current product information, including the latest version of this data sheet.  
 AVDS11602 • 2/15